

CONNECT + CONTROL



Pegler Yorkshire



## PB400 AND PB800

PUTTING YOU IN CONTROL

**Pegler**



# Pegler PB400

2-piece Full Port Brass Ball Valve  
yellow lever, female ends

## DESCRIPTION

The Pegler Yorkshire PB400 is a Full Port Forged Brass Ball Valve suitable for a wide range of flow control applications including HVAC, fuel gas, fire protection, irrigation etc.

These NPT threaded, 2-piece valves combine reliable operation with maximum economy.

## FEATURES

- Heavy Pattern Forged Design
- Corrosion Resistant Materials
- Full-Port Flow
- Premium PTFE Seats and Packing
- Adjustable Stem Packing
- Blow-Out Proof Stem
- Silicone Free Assembly
- 100% Factory Tested

## APPROVALS

- MSS-SP-110
- IAPMO IGC-157 Ball Valves
- ASME B16.44 (5 PSI)
- ASME B16.33 (125 PSI) (1/2" – 2")
- UL Guides: YSDT, MHKZ, YQNZ, YRBX & YRPV
- UL Guide VQGU (1/4" – 4")



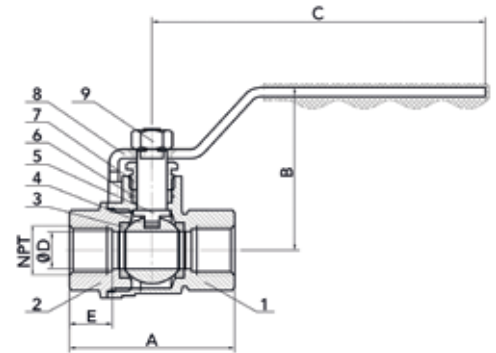
## SIZES

Taper / American (NPT) Taper

Range	1/4"	3/8"	1/2"	3/4"	1"	1 1/4"	1 1/2"	2"	2 1/2"	3"	4"
ANSI (NPT)(Taper)	250002	250003	250004	250005	250006	250007	250008	250009	250010	250011	250012

## DIMENSIONS

SIZE	A	B	C	D	E
1/4"	1.756	1.732	3.543	0.394	0.457
3/8"	1.756	1.732	3.543	0.394	0.457
1/2"	2.047	1.941	3.543	0.583	0.520
3/4"	2.362	2.106	3.780	0.748	0.563
1"	2.756	2.579	4.528	0.945	0.630
1 1/4"	3.307	2.961	4.528	1.260	0.709
1 1/2"	3.661	3.366	5.512	1.575	0.717
2"	4.181	3.701	5.512	1.969	0.748
2 1/2"	5.378	4.803	8.661	2.520	1.024
3"	6.039	5.118	8.661	2.913	1.102
4"	7.386	5.984	9.606	3.898	1.220



## MATERIAL SPECIFICATION

Component	
1 Body	Brass ASTM B283 alloy C37700
2 Retainers	Brass ASTM B283 alloy C37700
3 Seats	PTFE (Teflon)
4 Ball	Brass ASTM B283, C37700 Chrome Plated
5 Stem	Brass ASTM B283 C37700
6 Stem Packing	PTFE
7 Gland Nut	Brass ASTM B16, C36000
8 Yellow Lever	Plated Steel / Insulated Polyvinyl
9 Stem Nut	A570 GrA



## PERFORMANCE RATING

- Rating: 600 CWP (1/4" – 2")
- Rating: 400 CWP (2 1/2" – 4")
- Steam Rating: 150 psi SWP
- Temperature Range: 0°F - 400°F
- Vacuum Service to 29 in. Hg

# Pegler PB800

2-piece Full Port Bronze Ball Valve  
yellow lever, female ends

## DESCRIPTION

The Pegler Yorkshire PB800 is a Full Port Bronze Ball Valve suitable for a wide range of commercial and light industrial applications, these include hot and cold water, HVAC Low pressure steam and both LPG/natural gas. These NPT threaded, 2-piece valves combine reliable operation with maximum economy.

## FEATURES

- Heavy Pattern Cast Design
- Corrosion Resistant Materials
- Full-Port Flow
- Premium PTFE Seats and Packing
- Adjustable Stem Packing
- Blow-Out Proof Stem
- Silicone Free Assembly
- 100% Factory Tested
- Locking Device up to 2" as Standard

## APPROVALS

- MSS-SP-110 Compliant
- UL Guides: YSDT, MHKZ, YQNZ, YRBX & YRPV
- UL Guide VQGU (1/2" – 1")



## SIZES

Taper / American (NPT) Taper

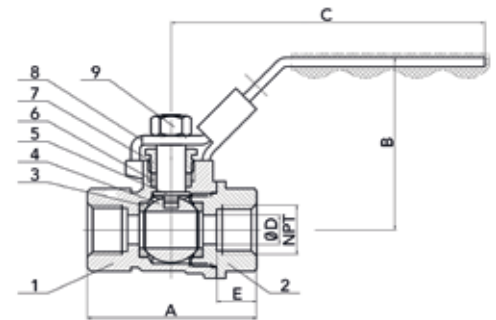
Range	1/4"	3/8"	1/2"	3/4"	1"	1 1/4"	1 1/2"	2"
ANSI (NPT)(Taper)	257003	257004	257005	257006	257007	257008	257009	257010

## DIMENSIONS

SIZE	A	B	C	D	E
1/4"	1.831	1.862	3.386	0.315	0.433
3/8"	1.831	1.862	3.386	0.382	0.433
1/2"	2.106	2.047	3.543	0.492	0.571
3/4"	2.559	2.224	3.543	0.728	0.591
1"	2.933	2.638	4.528	0.965	0.669
1 1/4"	3.406	2.835	4.528	1.220	0.748
1 1/2"	3.720	3.374	5.512	1.496	0.787
2"	4.370	3.839	8.031	1.969	0.827

## MATERIAL SPECIFICATION

	Component	
1	Body	Bronze C84400
2	Retainers	Bronze C84400
3	Seats	PTFE (Teflon)
4	Ball	Brass ASTM B283, C37700 Chrome Plated
5	Stem	Brass ASTM B283 C37700
6	Stem Packing	PTFE
7	Gland Nut	Brass ASTM B16, C36000
8	Yellow Lever	Plated Steel / Insulated Polyvinyl
9	Stem Nut	A570 GrA



## PERFORMANCE RATING

- Rating: 600psi CWP (1/4" – 2")
- Rating: 150psi SWP (1/4"-2")
- Max Temperature 500°F
- Vacuum Service to 29 in. Hg



# Pegler Yorkshire

Follow us on



CONNECT CONTROL

## UK ENQUIRIES

### UK SALES

Free Phone: 0800 156 0010

Free Fax: 0808 156 1011

Email: [uk.sales@pegleryorkshire.co.uk](mailto:uk.sales@pegleryorkshire.co.uk)

### TECHNICAL HELP

Free Phone: 0800 156 0050

Free Fax: 0808 156 1012

Email: [tech.help@pegleryorkshire.co.uk](mailto:tech.help@pegleryorkshire.co.uk)

### BROCHURE HOTLINE

Free Phone: 0800 156 0020

Free Fax: 0808 156 1011

Email: [info@pegleryorkshire.co.uk](mailto:info@pegleryorkshire.co.uk)

## INTERNATIONAL ENQUIRIES

### EXPORT

Tel: +44 (0) 1302 855 656

Fax: +44 (0) 1302 730 513

Email: [export@pegleryorkshire.co.uk](mailto:export@pegleryorkshire.co.uk)

**Tectite**

**XPress**

**Henco**

**Terrier**

**Meibes**

**Ballorex**

**Pegler**

**Prestex**

**Yorkshire**

**Endex**

**Kuterlite**

**Francis Pegler**

**Performa**



## HEAD OFFICE

**Pegler Yorkshire Group Limited**

St. Catherine's Avenue, Doncaster,  
South Yorkshire DN4 8DF, England

Tel: +44 (0) 1302 560 560

Fax: +44 (0) 1302 560 203

Email: [info@pegleryorkshire.co.uk](mailto:info@pegleryorkshire.co.uk)

[www.pegleryorkshire.co.uk](http://www.pegleryorkshire.co.uk)

## MIDDLE EAST OFFICE

**Pegler Yorkshire ME FZE**

B-301 Headquarters  
Dubai Silicon Oasis  
PO Box 502672, Dubai, UAE

Tel: +971 4 501 5929

Fax: +971 4 501 5930

Email: [pydubai@mailme.ae](mailto:pydubai@mailme.ae)

Registered in England Company No. 00401507

Registered Office: St. Catherine's Avenue,  
Doncaster, South Yorkshire DN4 8DF, England

All brand names and logo styles are registered trademarks. Maintaining a policy of continual product development, Pegler Yorkshire reserves the right to change specifications, design and materials of products listed in this publication without prior notice.