

General Description

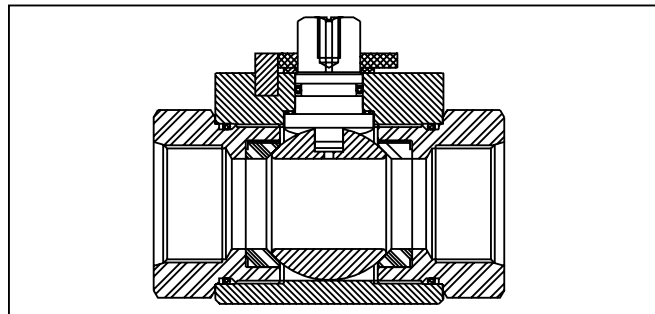
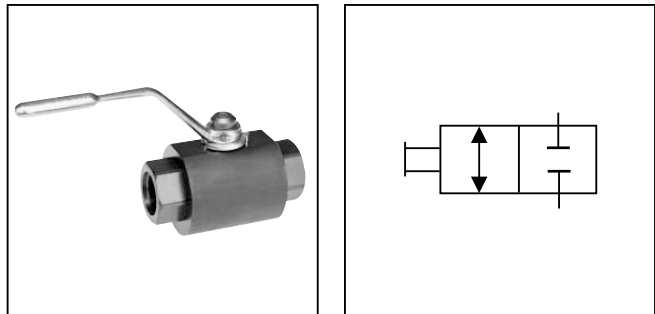
Series BVHH valves are used for shut-off applications and are rated at 690 Bar or 10,000 PSI. These valves represent the strongest ball valve in the industry. Series BVHH valves come in ports 1/2" to 2" and SAE, NPT and BSPP ports.

Operation

Parker's 2-way ball valves operate to either off or full flow by rotating the handle 90°. Ball valves are not designed to be a metering or flow control device.

Specifications

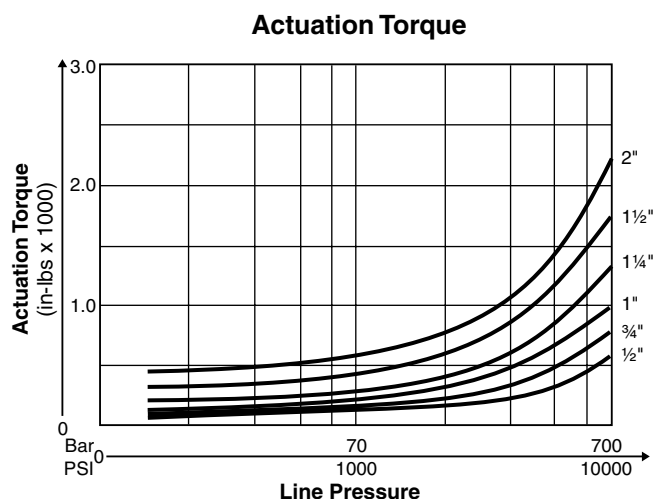
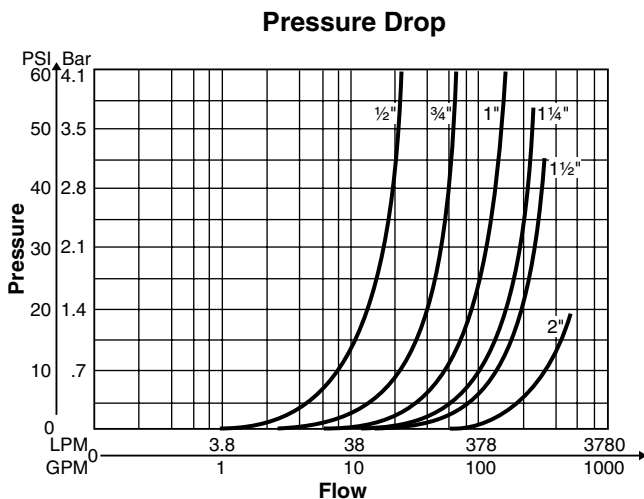
Maximum Pressure	690 Bar (10,000 PSI)
Body Material	Carbon Steel, Black Oxide
Ball Material	Steel, Chrome Plated, Stainless Steel
Stem Material	Steel, Zinc Plated, Stainless Steel
Standard Handle	Steel Offset, Nickel Plated
Ball Seals	Delrin + MoS ₂
Spindle Seals	O-Ring & Backup, Nitrile
Operating Temperature	-30°C to +100°C (-22°F to +212°F)

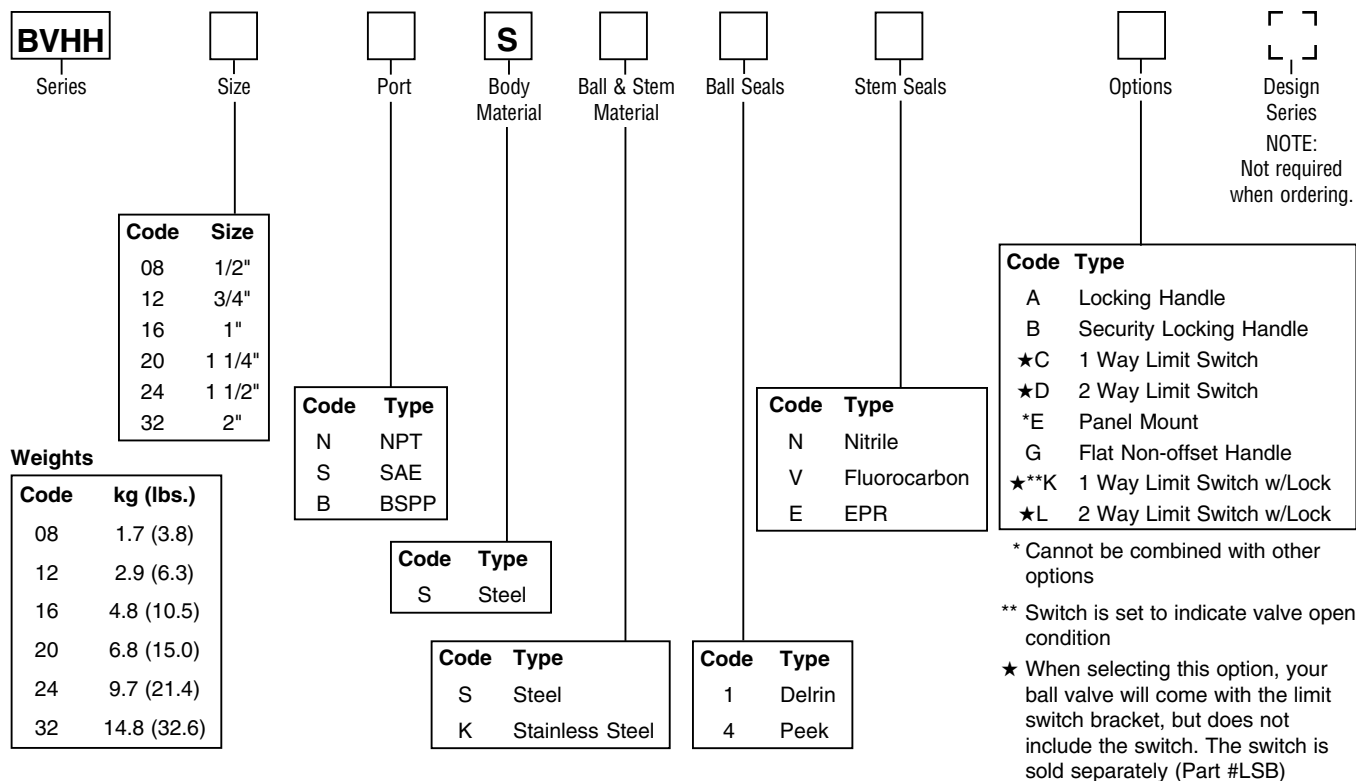


Features

- Encased Delrin moly ball seals increase the reliability compared to ring reinforcement designs.
- The BVHH is fully ported resulting in very low pressure drop.
- Nitrile seals are standard with fluorocarbon and EPR as options.
- The BVHH is available with options found in the 404 Bar (6000 PSI) models.

Performance Curves

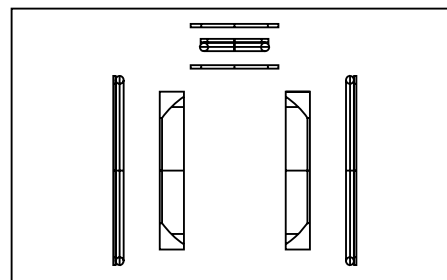




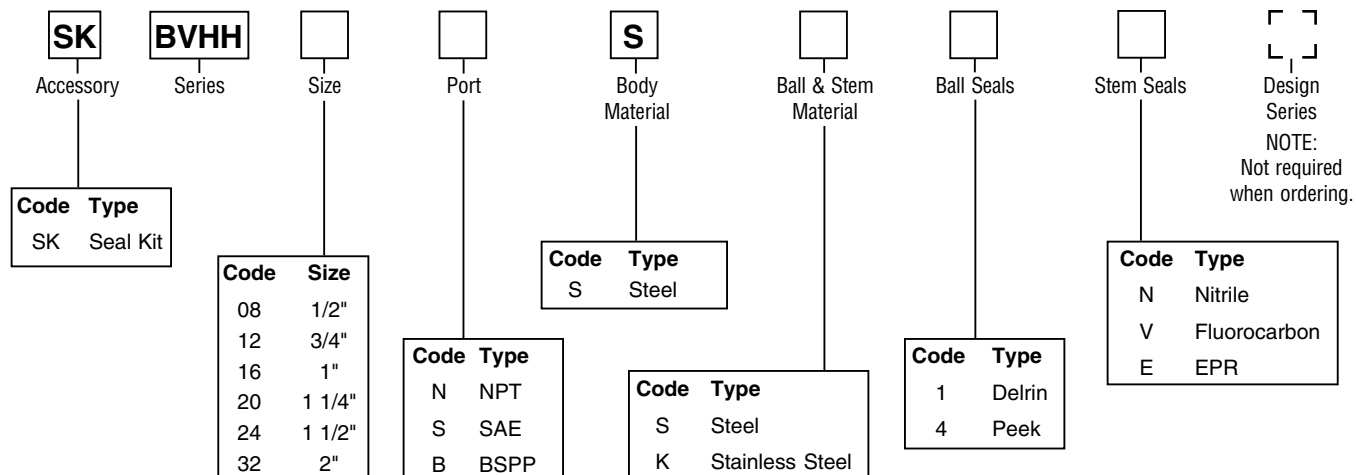
Seal Kit Accessories

Ball Valve Seal Kits restore a ball valve to factory specifications, providing no erosion or metal-to-metal wear has taken place.

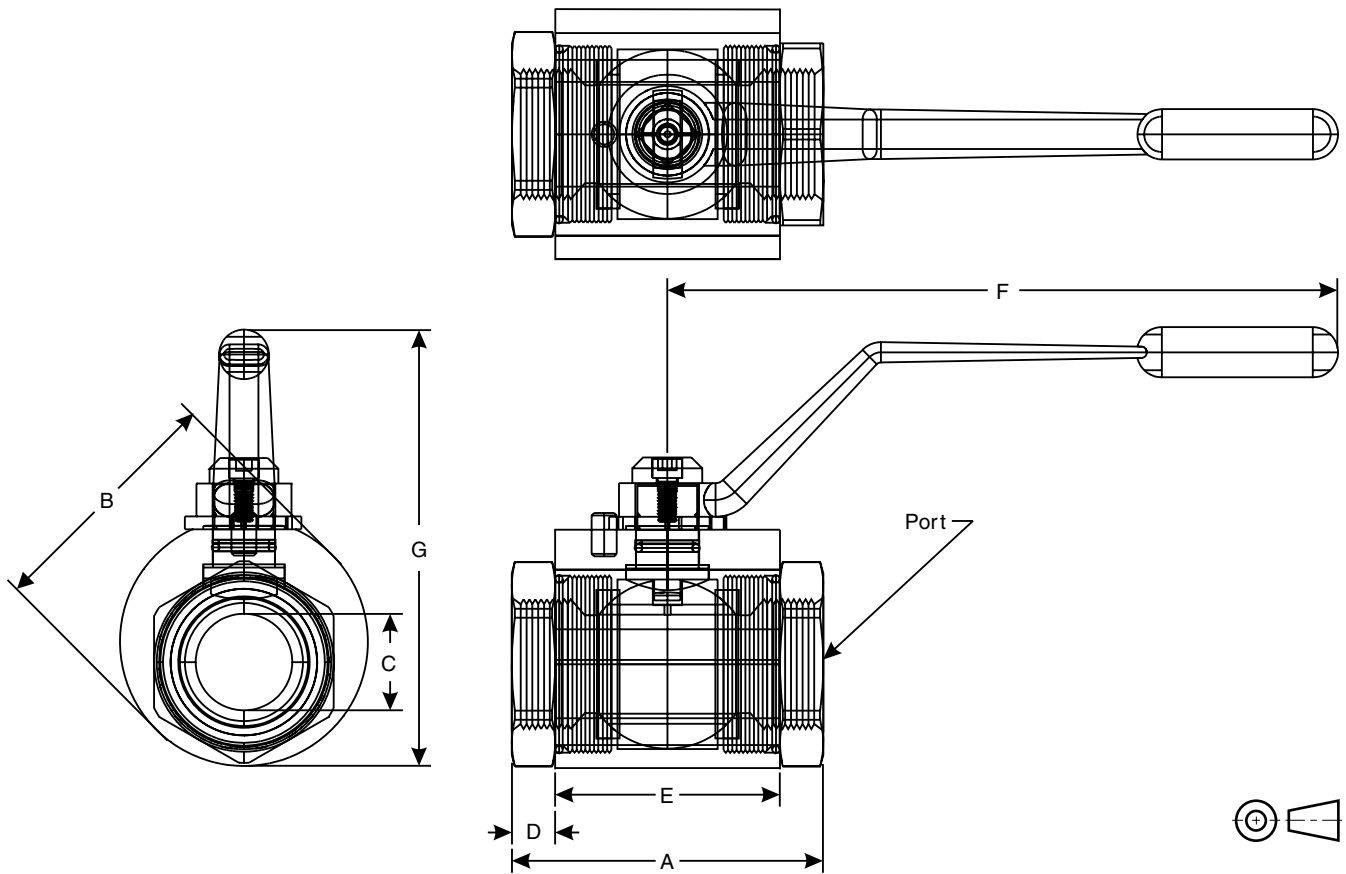
The Seal Kit includes all the o-rings, ball seals and thrust bearings that were originally installed at the factory. A sketch of these parts is provided at the right.



Ordering Information



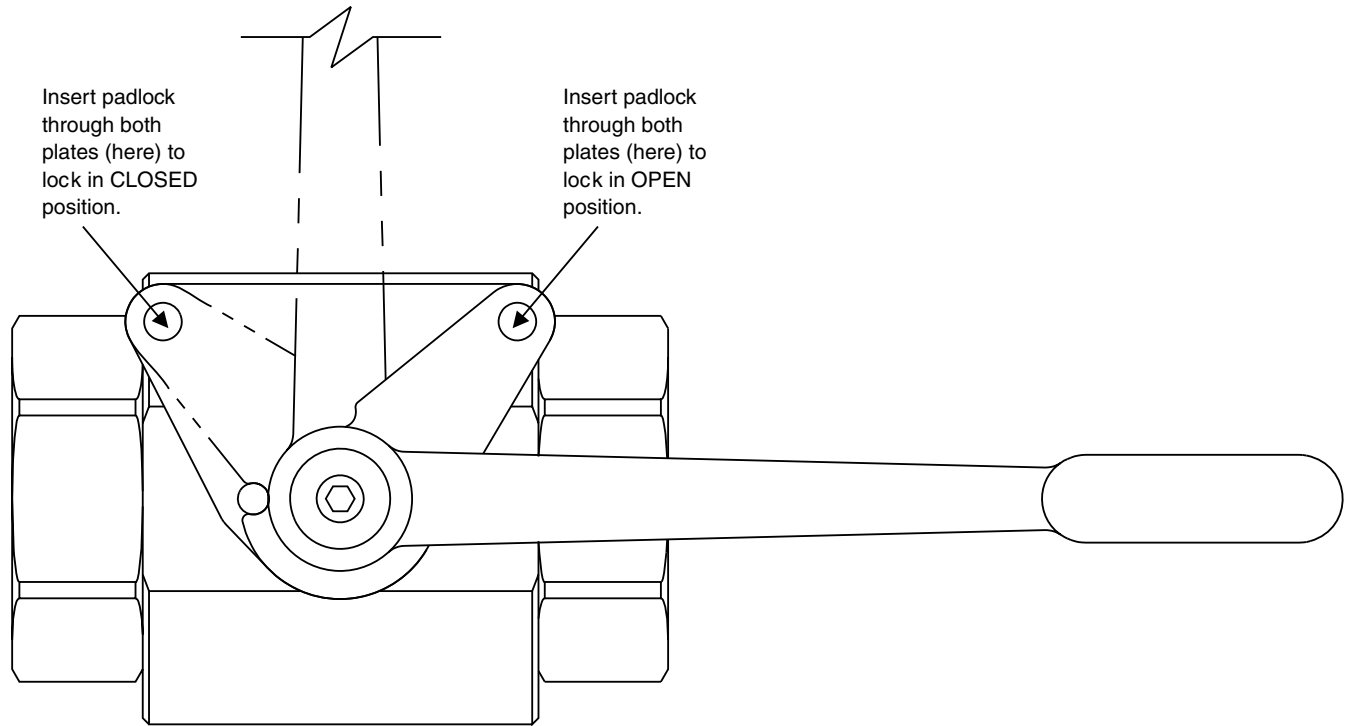
Threaded Ports



Code	Port Thread Size	Working Pressure	Dimensions mm (in)						
			A	B	C	D	E	F	G
NPT and SAE									
08	1/2"	690 Bar (10,000 PSI)	107.9 (4.25)	50.8 (2.00)	11.9 (0.47)	22.9 (0.90)	63.5 (2.50)	114.3 (4.50)	72.4 (2.85)
12	3/4"	690 Bar (10,000 PSI)	114.3 (4.50)	63.5 (2.50)	18.5 (0.73)	22.9 (0.90)	70.1 (2.76)	155.7 (6.13)	91.4 (3.60)
16	1"	690 Bar (10,000 PSI)	133.3 (5.25)	76.2 (3.00)	24.4 (0.96)	27.9 (1.10)	77.5 (3.05)	155.7 (6.13)	107.9 (4.25)
20	1 1/4"	690 Bar (10,000 PSI)	139.7 (5.50)	88.9 (3.50)	30.7 (1.21)	30.5 (1.20)	78.7 (3.10)	210.8 (8.30)	124.5 (4.90)
24	1 1/2"	690 Bar (10,000 PSI)	152.4 (6.00)	101.6 (4.00)	36.1 (1.42)	34.3 (1.35)	83.8 (3.30)	210.8 (8.30)	139.7 (5.50)
32	2"	690 Bar (10,000 PSI)	165.1 (6.50)	120.6 (4.75)	48.5 (1.91)	38.1 (1.50)	88.9 (3.50)	210.8 (8.30)	167.6 (6.60)



BVHPLK: Standard Series 'BVHPLK-*' kit replaces the stopwasher with a stationary and moving plate, as illustrated below. As the handle is actuated, the moving plate aligns with one of the two locking positions in the stationary plate, enabling the valve to be locked in either **fully closed** or **fully open** position.



Ordering Information

BVHH		Standard Locking (Part Number)
Code	Size	
08	1/2"	BVHPLK-1
12	3/4"	BVHPLK-2
16	1"	BVHPLK-2
20	1 1/4"	BVHPLK-3
24	1 1/2"	BVHPLK-3
32	2"	BVHPLK-3

