

+ RF

FLOW CONTROL



CARBON STEEL

- Type: check valve RF
- Body: square
- Material: 1,0737/1,4749
- Ball seats: from 1/4 to 1
- Operating pressure: PN 350
- Temp range: -20°C to +100°C depending at material selected



RF	G 1/2	CS	
Type	GAS DIN/ISO 228 BSP	NPT ANSI/ASME B1.20.1	Material
RF flow control	G 1/4 G 3/8 G 1/2 G 3/4 G 1	N 1/4 N 3/8 N 1/2 N 3/4 N 1	CS Carbon steel

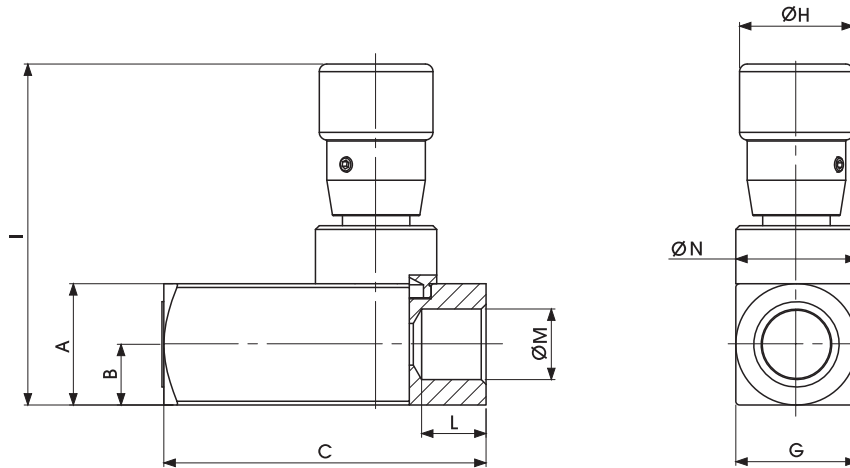
STAINLESS STEEL

- Specifications
- Type: check valve RF
 - Body: square
 - Material: 1,4404/1,4404
 - Ball seats: from 1/4 to 1
 - Operating pressure: PN 350
 - Temp range: -60°C to +230°C depending at material selected



RF	G 1/2	SS	
Type	GAS DIN/ISO 228 BSP	NPT ANSI/ASME B1.20.1	Material
RF flow control	G 1/4 G 3/8 G 1/2 G 3/4 G 1	N 1/4 N 3/8 N 1/2 N 3/4 N 1	SS Stainless steel

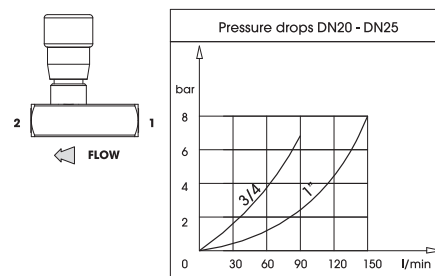
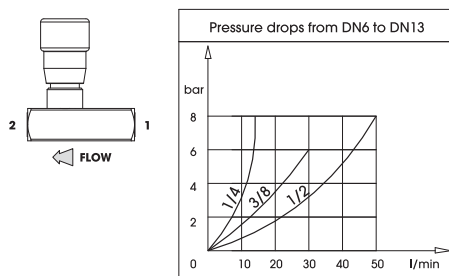




RF DIN/ISO 228 BSP

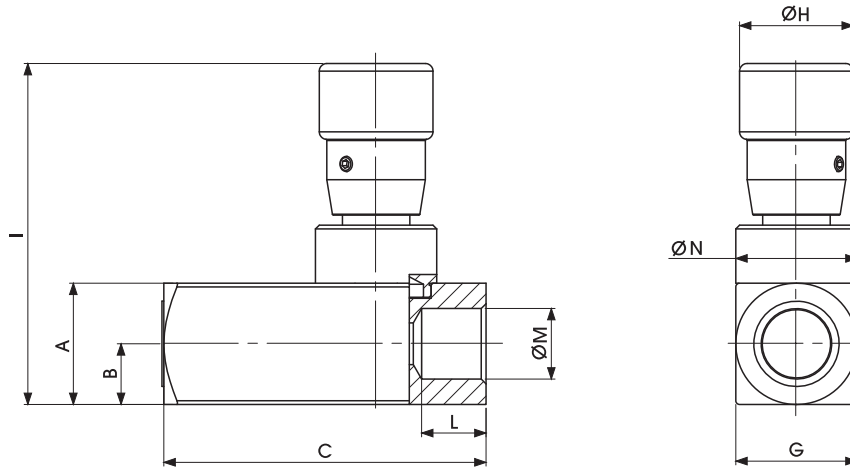
Standard

TYPE	PN	DN	MAX FLOW L/m	A	B	C	G	ØH	I	L	ØM	ØN	KG	CARBON STEEL	STAINLESS STEEL
														ITEM CODE	ITEM CODE
RF G 1/4	35 Mpa	6	15	25	12,5	66	25	30	75	15,5	G 1/4	M 20x1	0,41	GF2GGT130110000	GF2GGT130440000
RF G 3/8	35 Mpa	10	30	25	12,5	77	25	30	75	15,5	G 3/8	M 20x1	0,42	GF2GGT230110000	GF2GGT230440000
RF G 1/2	35 Mpa	13	50	30	15	91	30	33	81	17	G 1/2	M 25x1.5	0,63	GF2GGT330110000	GF2GGT330440000
RF G 3/4	35 MPa	20	80	40	20	112,5	40	42	110	21	G 3/4	M 25x1.5	1,52	GF2GGT430110000	GF2GGT430440000
RF G 1	35 Mpa	25	150	45	22,5	141	45	42	115	24	G 1	M 35x1.5	2,1	GF2GGT530110000	GF2GGT530440000



+ RF FLOW CONTROL

www.gemels.it



RF ANSI/ASME B1.20.1 NPT

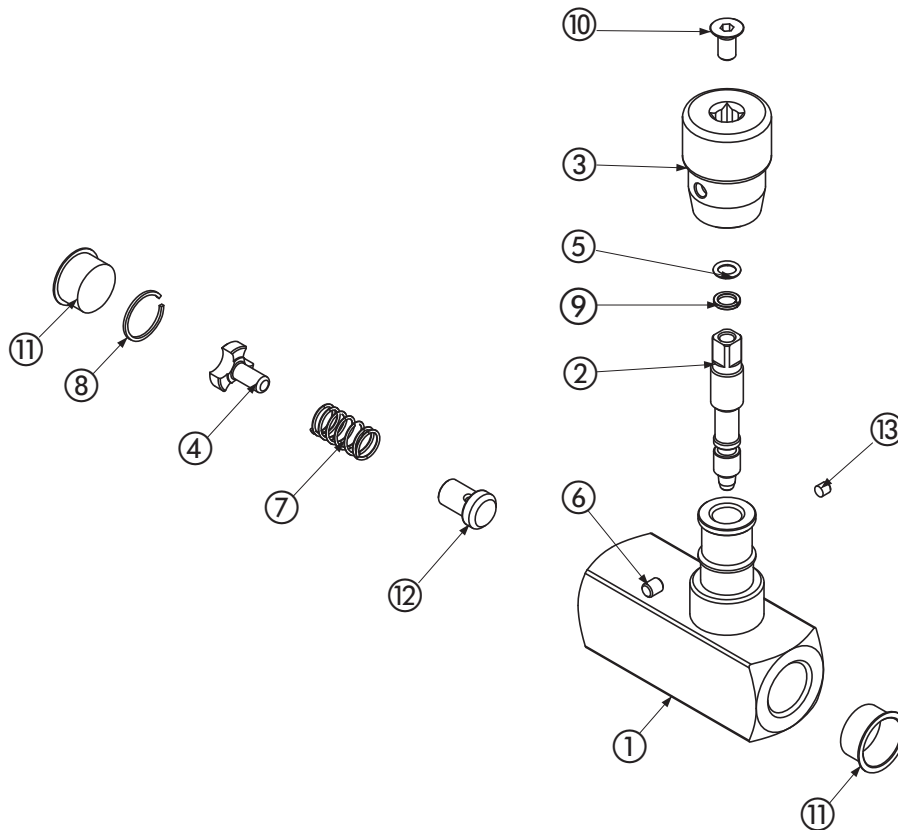
Standard

TYPE	PN	DN	MAX FLOW L/m	A	B	C	G	ØH	I	L	ØM	ØN	KG	CARBON STEEL	STAINLESS STEEL
														ITEM CODE	ITEM CODE
RF N 1/4	35 Mpa	6	15	25	12,5	66	25	30	75	15,5	N 1/4	M 20x1	0,41	GF2NNT130110000	GF2NNT130440000
RF N 3/8	35 Mpa	10	30	25	12,5	77	25	30	75	15,5	N 3/8	M 20x1	0,42	GF2NNT230110000	GF2NNT230440000
RF N 1/2	35 Mpa	13	50	30	15	91	30	33	81	17	N 1/2	M 25x1.5	0,63	GF2NNT330110000	GF2NNT330440000
RF N 3/4	35 MPa	20	80	40	20	112,5	40	42	110	21	N 3/4	M 25x1.5	1,52	GF2NNT430110000	GF2NNT430440000
RF N 1	35 Mpa	25	150	45	22,5	141	45	42	115	24	N 1	M 35x1.5	2,1	GF2NNT530110000	GF2NNT530440000

+ RF FLOW CONTROL

www.gemels.it

2014 - Edition 2



Carbon steel

Pos	Description	Material	Q.tà
1	Body	1,0737	1
2	Stem	1,0503	1
3	Handle	ALLUMINIUM	1
4	Spring ring	X 35 Cr Mo 17	1
5	Stem ring	PTFE	1
6	Spine	1,0737	1
7	Spring	1,0116	1
8	Seeger	X 35 Cr Mo 17	1
9	Stem o-ring	NBR	1
10	Screw	DIN 7991 8.8	1
11	Caps	PVC	2
12	Poppet	1,0737	1
13	Screw	DIN 7991 8.8	1

On request

- Special threads
- Pressure class PN 350
- Spring closed: 1BAR - 3BAR - 5BAR - 8BAR

For further special requests please consult our technical/commercial service

Stainless steel

Pos	Description	Material	Q.tà
1	Body	1,4404	1
2	Stem	1,4404	1
3	Handle	ALLUMINIUM	1
4	Spring ring	X 35 Cr Mo 17	1
5	Stem ring	PTFE	1
6	Spine	1,4301	1
7	Spring	1,0116	1
8	Seeger	X 35 Cr Mo 17	1
9	Stem o-ring	NBR	1
10	Screw	DIN 7991 A2	1
11	Caps	PVC	2
12	Poppet	1,4404	1
13	Screw	DIN 7991 8A2	1

On request

- Special threads
- Pressure class PN 350
- Spring closed: 1BAR - 3BAR - 5BAR - 8BAR