



# Instrumentation Solutions

MESC Compliant Modular Mounting Systems

aerospace  
climate control  
electromechanical  
filtration  
fluid & gas handling  
hydraulics  
pneumatics  
process control  
sealing & shielding



ENGINEERING YOUR SUCCESS.

## Modular Manifolds and Instrument Mounting Solutions

**Page 3** Introduction

**Page 4** Overview

**Page 5** Features

**Page 6** Manifolds

**Page 8** Back plates and vent & purge blocks

**Page 9** Seal pot

**Page 10** Heating

**Page 11** Filling connector and port protector

**Page 12** Sun shade and enclosure

**Page 13** Quote questionnaire & index

### **WARNING**

FAILURE, IMPROPER SELECTION OR IMPROPER USE OF THE PRODUCTS AND/OR SYSTEMS DESCRIBED HEREIN OR RELATED ITEMS CAN CAUSE DEATH, PERSONAL INJURY AND PROPERTY DAMAGE.

This document and other information from Parker Hannifin Corporation, its subsidiaries or its authorized distributors provide product and/or system options for further investigation by users having technical expertise. It is important that you analyze all aspects of your application and review the information concerning the product or system in the current product catalog. Due to the variety of operating conditions and applications for these products or systems, the user, through its own analysis and testing, is solely responsible for making the final selection of the products and systems and assuring that all performance, safety and warning requirements of the application are met.

The products described herein, including without limitation, product features, specifications, designs, availability and pricing, are subject to change by Parker Hannifin Corporation and its subsidiaries at any time without notice.

### **Offer of Sale**

The items described in this document are available for sale by Parker Hannifin Corporation, its subsidiaries or its authorized distributors. Any sale contract entered into by Parker will be governed by the provisions stated in Parker's standard terms and conditions of sale (copy available upon request).

Welcome to the MESC Compliant Modular Mounting Instrumentation Systems from Parker Hannifin.

## What is MESC?

Material and Equipment Standards and Code (MESC) is a materials standardisation system created by Shell to allow buyers to purchase standardised materials all over the world. It was created in 1932 for internal use, but was later licensed to any company who wished to pay for it.

With a single 10 digit code materials can be purchased independent of the manufacturer or brand.

## In this catalogue

This catalogue details design innovation - based around Shell's MESC standardisation system - that Parker believes will save significant engineering and installation time and costs for users of process fluid instrumentation.

The following pages detail a modular range of manifolds and accessories for small-bore instrumentation requirements that allow anyone to configure and order a complete integrated manifold and mounting solution for a process application in a few minutes.

Once you have made your selection, Parker assembles and delivers the finished integrated manifold to you - ready for immediate installation!

The benefits of this approach are wide ranging, and include:

- Being able to source all your instrument manifold mounting and protection needs from a single supplier and a proven inter-compatible range of components
- Eliminating on-site assembly time, and last-minute compatibility problems that can arise when using components from different suppliers
- Using an advanced flow path design that provides close coupling for high measurement integrity and avoidance of gauge line errors
- Gaining access to a connection system designed for ease of installation and subsequent lifecycle maintenance
- Manufacturing quality based on what Parker believes is the best materials sourcing and quality control systems in the industry today

The manifold-related products detailed in this catalogue stem from Parker's Enterprise Framework Agreement with Shell as a single source supplier for the provision of instrumentation valves, manifolds, process-to-instrument valves, fittings, tubing, protective enclosures and related products. This agreement provided the platform for Parker to invest and produce this manifold range (and further

instrument components detailed elsewhere), for use by Shell and its affiliates - as well as any other process instrumentation users interested in the benefits of modular instrumentation technology.

## Need any help?

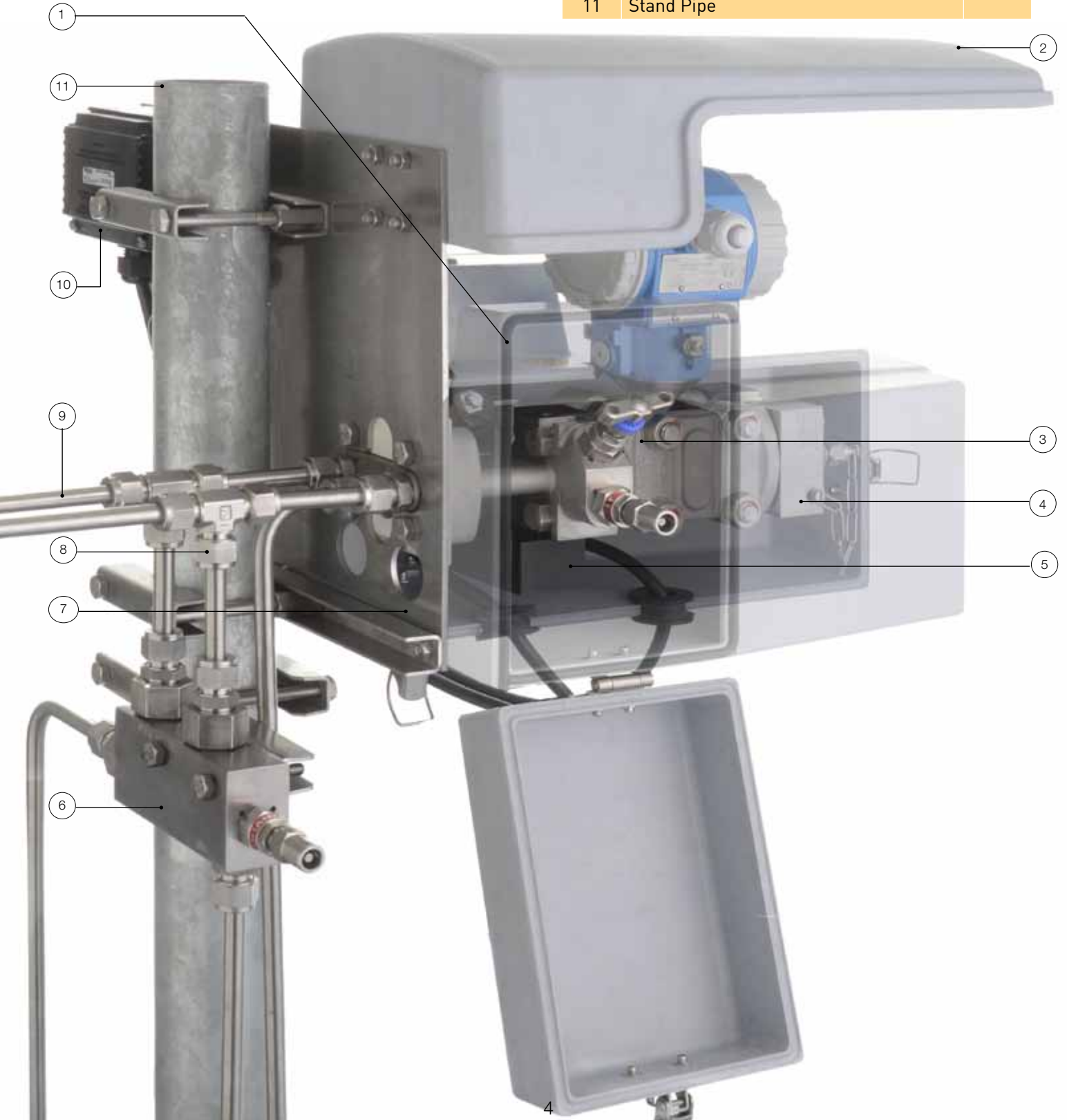


If you would like to discuss the benefits of modular instrumentation systems for your plant, or would like help in configuring a manifold solution, Parker welcomes your contact - see the back page of this brochure to find your local office.

# Overview

Fully assembled systems can be supplied based on your specific project or site requirements. It can be fitted with various pressure or flow transmitters and can manage the harsh environmental and process conditions. Please contact us with your requirements.

Item	Description	Page
1	Parker Enclosure	12
2	Parker Sun Shade	12
3	Parker Manifold	6&7
4	Parker Filling Connector	11
5	Parker Electrical Heater Block	10
6	Parker Vent & Purge Block	8
7	Parker Back Plate	8
8	Parker A-LOK® - Cat 4190-FMTG	
9	Parker Grade Tube - Cat 4190-PGT	
10	Terminal Box	
11	Stand Pipe	



## Compression Fitting Options

Products featured within this catalogue can be specified with two options of compression fittings



- Two ferrule design
- Precision machined
- Burnished cones for enhanced sealing
- Suparcase® back ferrule provides superior grip and anti corrosion properties
- Silver plated nut ensures no gauling



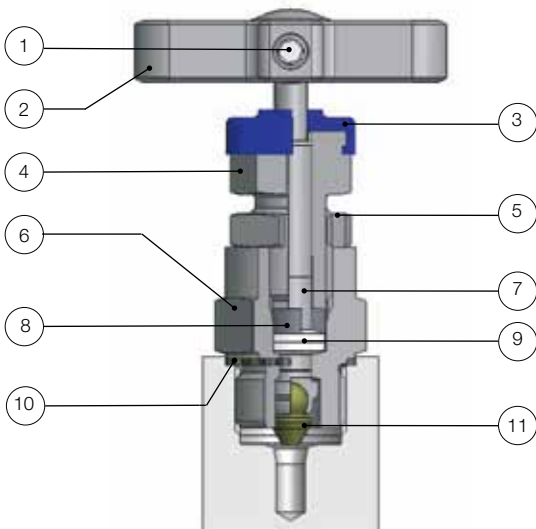
- Suparcase® single ferrule providing superior grip and anti corrosion properties
- Molybdenum disulfide coated nut for enhanced lubrication
- Precision machined
- Vibration resistant

## H Series Manifold Features

- Rolled spindle operating threads for low torque operation
- Gland packing in PTFE or Graphite for bubble tight sealing
- Colour coded close contact dust cap and function label for easy identification
- Available in 316L, and other corrosion resistant alloys on application
- T-bar operating handle for low torque function
- Self centering crimped needle tip for bubble tight seat sealing

- Close contact dust cap for operating thread protection
- Back seated spindle for blow out prevention and minimum atmospheric leakage
- Adjustable gland with easy access
- Gland lock nut for vibration protection
- Pressure rating up to 6,000 psig (414 barg)
- Temperature rating -54°C to -538°C (-65°F to 1000°F)
- Heat code trace certification available

**For safe, reliable and repeatable performance**

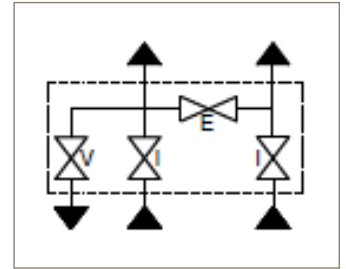


Item	Description
1	Positive handle retention
2	'T' bar
3	Dust Cap
4	Glad Packing Adjuster
5	Glad Adjuster Lock Nut
6	Valve Bonnet
7	Anti Blowout Spindle
8	Thrust Bush
9	Gland Packing (Adjustable)
10	Bonnet/Body Washer
11	Spindle Tip

# Manifolds

## 4 Valve Manifold - Type A - double isolate/equalise/vent block for general applications

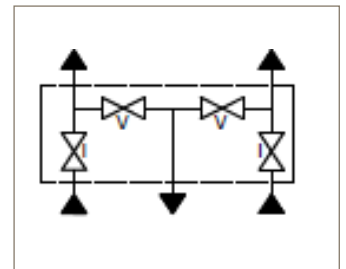
- Dual isolate, equalise and vent valves
- G1/4" BSPF female port supplied with either 3/8" OD or 10mm OD A-LOK®/CPI™ compression fittings fitted and pinned
- Seal kit included



Type	MESC	Process/Vent	A-LOK® Part Number	CPI™ Part Number
A	609856.205.1	10 mm	MMHOMDS4L6098562051	MMHOMDS4B6098562051
A	609856.207.1	3/8"	MMHOMDS4L6098562071	MMHOMDS4B6098562071

## 4 Valve Manifold - Type B - double isolate/vent block for applications where contamination of process streams and not permitted

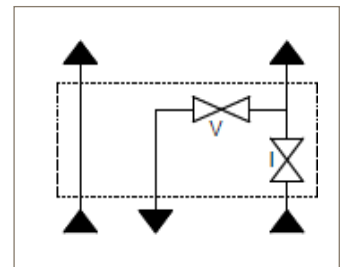
- Dual isolate and dual vent valves
- G1/4 BSPF female port supplied with either 3/8" OD or 10mm OD A-LOK®/CPI™ compression fittings fitted and pinned
- Seal kit included



Type	MESC	Process/Vent	A-LOK® Part Number	CPI™ Part Number
B	609856.215.1	10 mm	MMHOMDS4L6098562151	MMHOMDS4B6098562151
B	609856.217.1	3/8"	MMHOMDS4L6098562171	MMHOMDS4B6098562171

## 2 Valve Manifold - Type C - single isolate/vent block for pressure applications and level measurement on atmospheric tanks

- Single isolate and vent valve
- G1/4 BSPF female port supplied with either 3/8" OD or 10mm OD A-LOK®/CPI™ compression fittings fitted and pinned
- Seal kit included



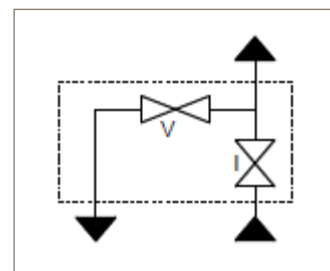
Type	MESC	Process/Vent	A-LOK® Part Number	CPI™ Part Number
C	609856.225.1	10 mm	MMHOMDS2L6098562251	MMHOMDS2B6098562251
C	609856.227.1	3/8"	MMHOMDS2L6098562271	MMHOMDS2B6098562271

Key: I = Isolating E = Equalising V = Vent



## 2 Valve Manifold - Type D - single isolate/vent block for pressure transmitters of the differential body design

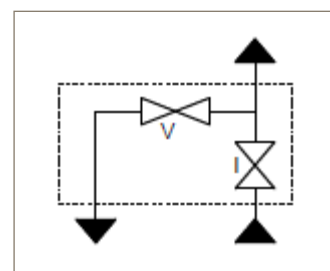
- Single isolate and vent valve
- G1/4 BSPP female port supplied with either 3/8" OD or 10mm OD A-LOK®/CPI™ compression fittings fitted and pinned
- Seal kit included



Type	MESC	Process/Vent	A-LOK® Part Number	CPI™ Part Number
D	609856.235.1	10 mm	MMHOMDS2L6098562351	MMHOMDS2B6098562351
D	609856.237.1	3/8"	MMHOMDS2L6098562371	MMHOMDS2B6098562371

## 2 Valve Manifold - Type E, F & G- single isolate/vent block for pressure transmitters

- Single isolate and vent
- G1/4 BSPP female port supplied with either 3/8" OD or 10mm OD A-LOK®/CPI™ compression fittings fitted and pinned



Type	MESC	Process/Vent	A-LOK® Part Number	CPI™ Part Number	Outlet
E	609856.305.1	10 mm	MMHOMLS2L6098563051	MMHOMLS2B6098563051	1/2" NPT M
E	609856.325.1	3/8"	MMHOMLS2L6098563251	MMHOMLS2B6098563251	1/2" NPT M
F	609856.315.1	10 mm	MMHOMLS2L6098563151	MMHOMLS2B6098563151	1/2" NPT F
F	609856.335.1	3/8"	MMHOMLS2L6098563351	MMHOMLS2B6098563351	1/2" NPT F
G	609856.317.1	10 mm	MMHOMLS2L6098563171	MMHOMLS2B6098563171	1/2" BSPP F
G	609856.337.1	3/8"	MMHOMLS2L6098563371	MMHOMLS2B6098563371	1/2" BSPP F

- Outlet 1/2" NPT female manifold connection as standard fitted with swivel gauge adapter to above outlet options

### Notes:

- Part numbers shown are manufactured from 316 stainless steel. Other materials on request
- Direct mount interface in accordance with DIN 19213 PT2 with 54mm (2 1/8") centers
- Bolt material ASTM A193-B8 CL2, (7/16 bolts)
- Cast manifold body ASTM A351/CF3M
- Equalise and vent valves with anti-tamper feature - one key supplied
- Supplied with four M8 mounting plate screws and washers

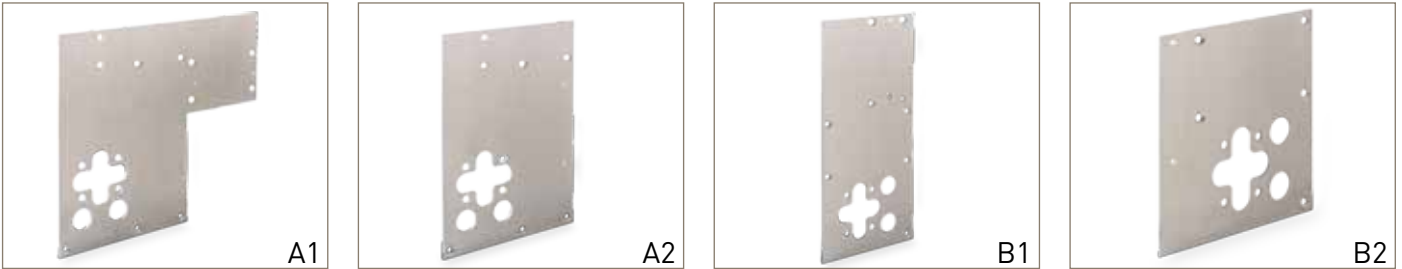
Key: I = Isolating E = Equalising V = Vent

# Back Plates & Purge Blocks

## Product Description

Parker's range of back plates ensure the straightforward installation mounting of MESC-compliant manifolds with different accessories.

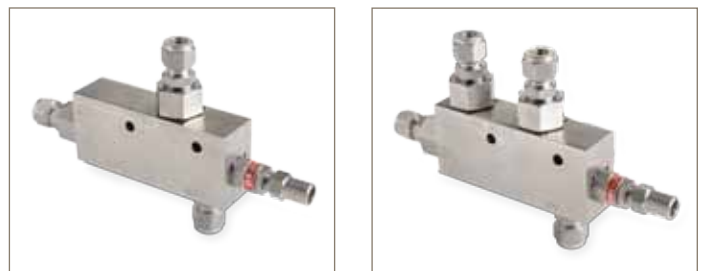
There are four types of back plates available, all featuring a clamp that allows easy mounting on a two-inch pipestand. If a protective sun shade (page 12) is required to protect your instrumentation then the type A1 back plate is recommended. The plates are made of 316 stainless steel.



MESC	Description	Part Number
609891.105.1	Back Plate A1	MMMP-6098911051-A1
609891.110.1	Back Plate A2	MMMP-6098911101-A2
609891.118.1	Back Plate B1	MMMP-6098911181-B1
609891.120.1	Back Plate B2	MMMP-6098911201-B2

## Product Description

Parker offer a choice of single and double vent and purge blocks for MESC-compliant manifolds. The single-vent is suitable for static pressure instrumentation applications. The double-vent is suitable for differential pressure applications, and is designed to connect to impulse lines on 54 mm (2 1/8") centres.



MESC	Description	Vent	A-LOK® Part Number	CPI™ Part Number
609870210.1	Single Vent Purge Block	10mm	MMVPBSSL6098702101	MMVPBSSB6098702101
609870.310.1		3/8"	MMVPBSSL6098703101	MMVPBSSB6098703101
609870.220.1	Double Vent Purge Block	10mm	MMVPBDSL6098702201	MMVPBDSB6098702201
609870.320.1		3/8"	MMVPBDSL6098703201	MMVPBDSB6098703201



## Product Description

Parker's seal pot is designed for instrumentation systems requiring an open seal such as toxic, corrosive or high temperature service. An immiscible seal fluid is used with the seal pot. A barrier is formed in front of the manifold and instrument due to the difference in density to the process media.

## Placement

If the seal pot is located below the orifice plate, a seal fluid with higher specific gravity than the process medium is required.

If the seal pot is located above the orifice plate, a seal fluid with lower specific gravity is to be used.

## Rating

Maximum working pressure: 413 bar (5990 psi) @ 38°C (100.4°F)  
 Maximum working temperature: 450°C (842°F)

## Volume

Approx. 50 cm<sup>3</sup>



MESC	Description	Vent	A-LOK® Part Number	CPI™ Part Number
609870.510.1	Seal Pot	10mm	MMHMSPSL6098705101	MMHMSPSB6098705101
609870.600.1		1/2"	MMHMSPSL6098706001	MMHMSPSB6098706001
609870.610.1		3/8"	MMHMSPSL6098706101	MMHMSPSB6098706101

# Heating

## Product Description

Steam tracing and electrical heating blocks are available to provide frost protection or to maintain the process temperature of the media being measured. The blocks mount directly onto the manifold, providing a highly efficient conductive heat transfer to the manifold and transmitter body.

### Steam Heating

A separate stainless steel steam block which mounts directly onto the manifold is used to provide steam heating.

Two G 1/4 female ports with tube fittings provide the connection to the steam line.



MESC	Description	Vent	A-LOK® Part Number	CPI™ Part Number
609870.010.1	Steam Tracing Block	10mm	MMSTBL6098700101	MMSTBB6098700101
609870.110.1		3/8"	MMSTBL6098701101	MMSTBB6098701101

### Electrical Heating

This aluminium block mounts directly onto the manifold to provide efficient conduction heating, with a self-limiting output characteristic. The block is supplied with a cable length of 1m.



Attribute	Value
Material	Aluminium, sea water resistant
Size	90x40x30mm
Voltage	110V - 265V
Rating	50W
Type of Protection	IP68, NEMA 4X
Explosion Proof	II 2 GD EEx d IIC T4
Certificate Number (PTB)	02 ATEX 1116X

MESC	Description	Part Number
609870.050.1	Electrical Heater	Contact Division*

**\* Note:** Heating requirements can vary depending on service. To contact the division, please telephone 00 44 1271 313131, or email [ipde\\_technical@parker.com](mailto:ipde_technical@parker.com)

# Filling Connector & Port Protector

## Product Description

Parker's filling connector is available for use when purge protection is required but no purge block is installed. The purge medium flows through the instrument cavities allowing the system to be filled. It comes with an integral check valve.

## Rating

Maximum working pressure:  
413 bar (5990 psi) @ 38°C (100.4°F)

Maximum working temperature:  
200°C (392°F)



MESC	Description	Part Number
609890.106.1	Filling Connector 6mm	MMHFCS-6098901061
609890.107.1	Filling Connector 1/4"	MMHFCS-6098901071
609890.307.1	Blind Flange	MMBLFG-6098903071

## Product Description

Parker's port protectors (mud dauber fittings) protect open ends of instruments, tubing, outlet vents, etc. The mesh wire screen prevents foreign bodies such as insects or debris from entering and clogging various systems and causing damage.

- Pipe plug, bored-through design
- 40 x 40 mesh .010 µm diameter wire screen
- Designed to vent female pipe, straights, elbows or tees



Description	Thread Type	Part Number
Port Protector 316 SS	1/4 NPT Male	4MDF - SS
Port Protector 316 SS	1/2 NPT Male	8MDF - SS
Port Protector 316 SS	1/4 BSPP Male	4RMDF - SS
Port Protector 316 SS	1/2 BSPP Male	8RMDF - SS

# Protective Shade and Enclosure

## Product Description

The protective shade has been designed to protect the instrument from direct sunlight or heavy rain.

Attribute	Value
Temp Range, Ambient	-30°C (22°F) to +85°C (185°F)
Material	Synthetic
Density, Material	1.4 kg/dm <sup>3</sup> to 1.9 kg/dm <sup>3</sup>
Resistance, Ultra Violet	1000 hrs Xenotest
Spec, Flame Retardant	DIN 4102 Class B1
Strength, Bending	85 N/mm <sup>2</sup>
Strength, Impact	20 kJ/m <sup>2</sup>
Material, Metal Parts	AISI 316
Mandatory add requirements	MESC SPE 60.98.91/205 LV
Mounting	Direct to Mounting



## Product Description

Often used in low temperature environments, the enclosure offers complete environmental protection of both the manifold and instrument body.

Attribute	Value
Temp Range, Ambient	-30°C (22°F) to +85°C (185°F)
Material	Glass Fibre Polyester
Density, Material	1.4 kg/dm <sup>3</sup> to 1.9 kg/dm <sup>3</sup>
Resistance, Ultra Violet	1000 hrs Xenotest
Spec, Flame Retardant	DIN 4102 Class B1
Conductivity, Thermal	0.30 WM-1 K-1
Strength, Bending	85 N/mm <sup>2</sup>
Strength, Impact	20 kJ/m <sup>2</sup>
Material, Seal	Hydrocarbon & Weather Resist
Material, Metal Parts	AISI 316
Mandatory add requirements	MESC SPE 60.98.91/305 LV
Mounting	Direct to Mounting



**N.B** The MESC system will also be supplied with a 2" stand pipe as part of the standard offering. Please contact division for specific requirements.

MESC	Description	Part Number
609891.205.1	Protective Sun Shade	MMPA-SH-6098912051-L1
609891.305.1	Enclosure	Contact Division*

**\* Note:** Please supply transmitter part number and manufacturer also specify liquid or gas service when ordering enclosures. To contact the division, please telephone 00 44 1271 313131, or email [ipde\\_technical@parker.com](mailto:ipde_technical@parker.com)

# Quote Questionnaire & Index

## Information required for specifying an enclosure system (please send details with quotation request)

1	Item number	
2	Quantity	
3	Liquid or level	
4	Differential Pressure/Pressure Transmitter	
5	Material	
6	External design temperature	
7	Process temperature	
8	Transmitter reference	
9	Enclosure required	
10	Sun shade required	
11	A-LOK® or CPI™	
12	Other comments	

MESC	Description	Part Number	Page
609891.105.1	Back Plate A1	MMMP-6098911051-A1	8
609891.110.1	Back Plate A2	MMMP-6098911101-A2	8
609891.118.1	Back Plate B1	MMMP-6098911181-B1	8
609891.120.1	Back Plate B2	MMMP-6098911201-B2	8
609870.050.1	Electrical Heater	MMPS-EL-6098700501-L2	10
609890.106.1	Filling Connector 6mm	MMHFCS-6098901061	11
6098.90.107.1	Filling Connector 1/4"	MMHFCS-6098901071	11
609890.307.1	Blind Flange	MMBLFG-6098903071	11
609891.205.1	Protective Shade	MMPA-SH-6098912051-L1	12
609891.305.1	Enclosure	Contact Division*	12

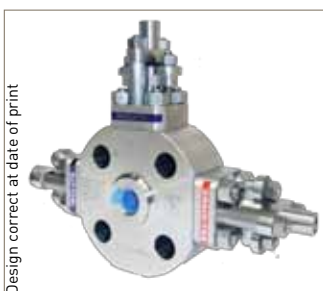
MESC	Description	Port	A-LOK® Part Number	CPI™ Part Number	Page
609856.205.1	4 Valve Manifold Type A	10 mm	MMHOMDS4L6098562051	MMHOMDS4B6098562051	6
609856.207.1		3/8"	MMHOMDS4L6098562071	MMHOMDS4B6098562071	
609856.215.1	4 Valve Manifold Type B	10 mm	MMHOMDS4L6098562151	MMHOMDS4B6098562151	6
609856.217.1		3/8"	MMHOMDS4L6098562171	MMHOMDS4B6098562171	
609856.225.1	2 Valve Manifold Type C	10 mm	MMHOMDS2L6098562251	MMHOMDS2B6098562251	6
609856.227.1		3/8"	MMHOMDS2L6098562271	MMHOMDS2B6098562271	
609856.235.1	2 Valve Manifold Type D	10 mm	MMHOMDS2L6098562351	MMHOMDS2B6098562351	7
609856.237.1		3/8"	MMHOMDS2L6098562371	MMHOMDS2B6098562371	
609856.305.1	2 Valve Manifold Type E	10 mm	MMHOMLS2L6098563051	MMHOMLS2B6098563051	7
609856.325.1		3/8"	MMHOMLS2L6098563251	MMHOMLS2B6098563251	
609856.315.1	2 Valve Manifold Type F	10 mm	MMHOMLS2L6098563151	MMHOMLS2B6098563151	7
609856.335.1		3/8"	MMHOMLS2L6098563351	MMHOMLS2B6098563351	
609856.317.1	2 Valve Manifold Type G	10 mm	MMHOMLS2L6098563171	MMHOMLS2B6098563171	7
609856.337.1		3/8"	MMHOMLS2L6098563371	MMHOMLS2B6098563371	
609870.210.1	Single Vent Purge Block Type S	10mm	MMVPBSSM10L6098702101	MMVPBSSM10B6098702101	8
609870.310.1		3/8"	MMVPBSS6AL6098703101	MMVPBSS6AB6098703101	8
609870.220.1	Double Vent Purge Block Type D	10mm	MMVPBDSM10L6098702201	MMVPBDSM10B6098702201	8
609870.320.1		3/8"	MMVPBDS6AL6098703201	MMVPBDS6AB6098703201	8
609870.510.1	Seal Pot	10mm	MMHMSPSL6098705101	MMHMSPSB6098705101	9
609870.600.1		1/2"	MMHMSPSL6098706001	MMHMSPSB6098706001	9
609870.610.1		3/8"	MMHMSPSL6098706101	MMHMSPSB6098706101	9
609870.010.1	Steam Tracing Block	10 mm	MMSTBL6098700101	MMSTBB6098700101	10
609870.110.1		3/8"	MMSTBL6098701101	MMSTBB6098701101	10

## Additional Products Available



### Fittings & Materials (Catalogue 4190-FMTG)

- A complete guide to Parker IPDE's fittings, tubing and materials. Including tubing charts, anti corrosion information together with a comprehensive guide to the complete range of fittings



### Process to Instrumentation Valves\*

- TAMAP 2 star ball or needle valve class A or class B
- Single block and bleed or double block and bleed
- Available in the following materials 316, Duplex or alloy 625
- A-LOK, CPI or BSPP connections
- Flange classes: 600 (covers 150, 300 and 600) class 2500 (covers 900, 1500 and 2500)



### H Series Instrument Needle Valves (Catalogue 4190-HV)

- Compact needle valves
- For applications up to 10,000 psi (690 bar)
- Available with integral A-LOK® or CPI™ connections, reducing leak paths and reducing installation costs
- Soft tipped optional seating available for gaseous applications
- Fire safe option



### HBV Series Instrument Ball Valves (Catalogue 4190-HBV)

- Suitable for the most demanding applications in the oil, gas and process control industries
- Integral compression ends available, eliminating taper threads and thread sealants
- Two piece barstock design reduces body leakage paths
- Complies with ANSI/ASME B16.34 requirements where applicable
- NACE MR-01-75/ISO 15156 compliant materials available
- Fire safe option



### Parker Grade Tube (Catalogue 4190-FMTG)

- Parker's Instrument tube fittings have been engineered and manufactured to consistently provide high levels of reliability, no systems integrity is complete without considering the critical link, tubing

\* To contact the division, please telephone 00 44 1271 313131, or email [ipde\\_technical@parker.com](mailto:ipde_technical@parker.com)





# Parker Worldwide

AE – UAE, Dubai  
Tel: +971 4 8875600  
parker.me@parker.com

AR – Argentina, Buenos Aires  
Tel: +54 3327 44 4129

AT – Austria, Wiener Neustadt  
Tel: +43 (0)2622 23501-0  
parker.austria@parker.com

AT – Eastern Europe,  
Wiener Neustadt  
Tel: +43 (0)2622 23501 970  
parker.easteurope@parker.com

AU – Australia, Castle Hill  
Tel: +61 (0)2-9634 7777

AZ – Azerbaijan, Baku  
Tel: +994 50 2233 458  
parker.azerbaijan@parker.com

BE/LX – Belgium, Nivelles  
Tel: +32 (0)67 280 900  
parker.belgium@parker.com

BR – Brazil, Cachoeirinha RS  
Tel: +55 51 3470 9144

BY – Belarus, Minsk  
Tel: +375 17 209 9399  
parker.belarus@parker.com

CA – Canada, Grimsby, Ontario  
Tel +1 905-945-2274  
ipd\_canada@parker.com

CH – Switzerland, Etoy  
Tel: +41 (0) 21 821 02 30  
parker.switzerland@parker.com

CN – China, Shanghai  
Tel: +86 21 5031 2525

CZ – Czech Republic, Klecany  
Tel: +420 284 083 111  
parker.czechrepublic@parker.com

DE – Germany, Kaarst  
Tel: +49 (0)2131 4016 0  
parker.germany@parker.com

DK – Denmark, Ballerup  
Tel: +45 43 56 04 00  
parker.denmark@parker.com

ES – Spain, Madrid  
Tel: +34 902 33 00 01  
parker.spain@parker.com

FI – Finland, Vantaa  
Tel: +358 (0)20 753 2500  
parker.finland@parker.com

FR – France, Contamine s/Arve  
Tel: +33 (0)4 50 25 80 25  
parker.france@parker.com

GR – Greece, Athens  
Tel: +30 210 933 6450  
parker.greece@parker.com

HK – Hong Kong  
Tel: +852 2428 8008

HU – Hungary, Budapest  
Tel: +36 1 220 4155  
parker.hungary@parker.com

IE – Ireland, Dublin  
Tel: +353 (0)1 466 6370  
parker.ireland@parker.com

IN – India, Mumbai  
Tel: +91 22 6513 7081-85

IT – Italy, Corsico (MI)  
Tel: +39 02 45 19 21  
parker.italy@parker.com

JP – Japan, Fujisawa  
Tel: +(81) 4 6635 3050

KR – South Korea, Seoul  
Tel: +82 2 559 0400

KZ – Kazakhstan, Almaty  
Tel: +7 7272 505 800  
parker.easteurope@parker.com

LV – Latvia, Riga  
Tel: +371 6 745 2601  
parker.latvia@parker.com

MX – Mexico, Apodaca  
Tel: +52 81 8156 6000

MY – Malaysia, Shah Alam  
Tel: +603-78490800

NL – The Netherlands,  
Oldenzaal  
Tel: +31 (0)541 585 000  
parker.nl@parker.com

NO – Norway, Stavanger  
Tel: +47 (0)51 826 300  
parker.norway@parker.com

NZ – New Zealand, Mt Wellington  
Tel: +64 9 574 1744

PL – Poland, Warsaw  
Tel: +48 (0)22 573 24 00  
parker.poland@parker.com

PT – Portugal, Leca da Palmeira  
Tel: +351 22 999 7360  
parker.portugal@parker.com

RO – Romania, Bucharest  
Tel: +40 21 252 1382  
parker.romania@parker.com

RU – Russia, Moscow  
Tel: +7 495 645-2156  
parker.russia@parker.com

SE – Sweden, Spånga  
Tel: +46 (0)8 59 79 50 00  
parker.sweden@parker.com

SG – Singapore,  
Tel: +65 6887 6300

SK – Slovakia, Banská Bystrica  
Tel: +421 484 162 252  
parker.slovakia@parker.com

SL – Slovenia, Novo Mesto  
Tel: +386 7 337 6650  
parker.slovenia@parker.com

TH – Thailand, Bangkok  
Tel: +662 717 8140

TR – Turkey, Istanbul  
Tel: +90 216 4997081  
parker.turkey@parker.com

TW – Taiwan, Taipei  
Tel: +886 2 2298 8987

UA – Ukraine, Kiev  
Tel: +380 44 494 2731  
parker.ukraine@parker.com

UK – United Kingdom,  
Warwick  
Tel: +44 (0)1926 317878  
parker.uk@parker.com

US – USA, Cleveland  
Tel: +1 216 896 3000

VE – Venezuela, Caracas  
Tel: +58 212 238 5422

ZA – South Africa,  
Kempton Park  
Tel: +27 (0)11 961 0700  
parker.southafrica@parker.com

European Product Information Centre  
Free phone: 00 800 27 27 5374  
(from AT, BE, CH, CZ, DE, DK, EE, EI, ES, FI, FR, IT, NL,  
NO, PL, RU, SE, SK, UK, ZA)

© 2013 Parker Hannifin Corporation. All rights reserved

Parker Hannifin Manufacturing Ltd  
Instrumentation Products  
Division Europe  
Riverside Road  
Pottington Business Park  
Barnstaple, Devon, EX31 1NP  
United Kingdom  
Tel.: +44 (0) 1271 313131  
Fax: +44 (0) 1271 373636  
www.parker.com/ipd

Parker Hannifin Corporation  
Instrumentation Products Division  
1005 A Cleaner Way  
Huntsville  
Alabama  
AL 35805  
USA  
Tel: + 1 (256) 881-2040  
Fax: + 1 (256) 881-5072  
www.parker.com/ipdus

