

Lucifer® Large flow Poppet Valve 3/2 NC 1/2" NPT for Process Market Ref. U331BS9369

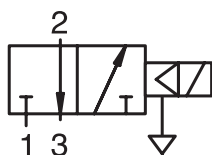
New Low Power Valve
for Explosion Proof Environments
Zone 1/21 and Zone 0/20



Product

The new 3/2 NC 1/2" NPT indirect acting poppet valve is benefiting from a large 14 mm orifice and allows high flow range up to 2500 l/min with pressure ranging from 1 to 15 bar and is not exceeding 6 W power consumption.

This new valve can be used for installation in hazardous areas Zone 1/21 and Zone 0/20.



Contact Information

**Parker Hannifin Manufacturing
Switzerland SA**

Fluid Control Division Europe

Ch. Fbg de Cruseilles, 16
1227 Carouge / Genève
Switzerland

Tel.: +41 22 30 77 111

Fax: +41 22 30 77 110

www.parker.com/fcde

Markets

- Chemical
- Petrochemical
- Oil & Gas Industries

Applications

Control of large pneumatic actuators
in safe or explosive environment

Benefits

- Compact robust design
- Coil modularity
- Multiple ATEX protection modes available
- Easy installation
- No delay necessary to open the coil cover
- Fast and easy maintenance
- Works in any position

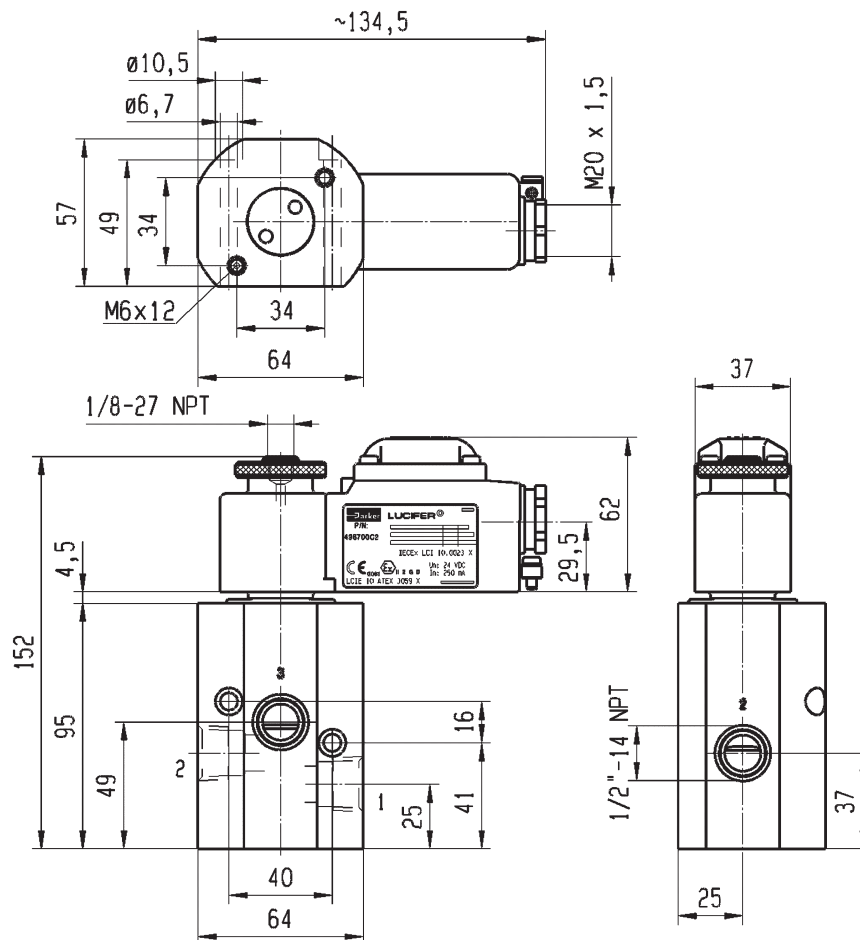


ENGINEERING YOUR SUCCESS.

Technical Data

- 3/2 NC 1/2" NPT indirect acting poppet valve
- Orifice 14 mm
- Flow 2500 l/min
- Pressure 1 to 15 bar
- Temperature range -30°C / +75°C
- SIL 3 capable
- Body material: Brass
- Zone 0.20 intrinsically safe "ia" (0.3 W < P < 2.6 W)
- Zone 1.21 flameproof & encapsulated "d mb" (P = 6 W)
- Zone 1.21 increased safety & encapsulated "e mb" (P = 6 W)
- Flat rear body to easily fix on a plate

Dimensions



Ordering Reference

Valve Ref. U331BS9369

Compatible Coil

- 496555 with ATEX "d mb" protection level
- 496700.02 with ATEX "d mb" protection level
- 496565 with ATEX "ia" protection level
- 496895 non ATEX

EMEA Product Information Centre

Free phone: 00 800 27 27 5374

(from AT, BE, CH, CZ, DE, DK, EE, ES, FI, FR, IE, IL, IS, IT, LU, MT, NL, NO, PL, PT, RU, SE, SK, UK, ZA)

US Product Information Centre

Toll-free number: 1-800-27 27 537

www.parker.com

