



aerospace  
climate control  
electromechanical  
filtration  
fluid & gas handling  
hydraulics  
**pneumatics**  
process control  
sealing & shielding



## 2/2 & 3/2 Solenoid Valves

High Pressure Pneumatic Applications - 40 bar



ENGINEERING YOUR SUCCESS.

# 2/2 & 3/2 Solenoid Valves for High Pressure pneumatic applications - 40 bar

## Product offering:

- 2/2 valves and 3/2 way valves - pilot operated
- Pipe mounting (G 1/2- 3/4) or sub-base mounting
- 1.5 (2) - 40 bar
- Normally open or closed
- Internal or external pilot pressure supply

## Customer Value Proposition:

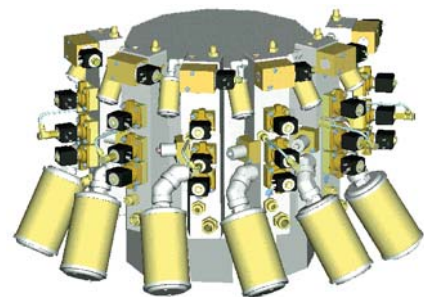
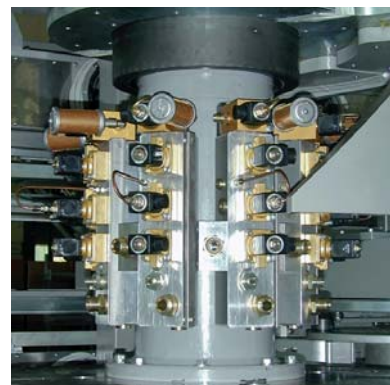
- Safety of operation
- Reliability
- Response time stability
- Repeatability
- No leakage
- Integrated non return valve (421version)

The use of high pressure gases became a necessity in the new technologies developed during the last years.

The control of these fluids can be done through the solenoid valves specially designed by Parker Lucifer for high pressure applications (maximum 50 bar).

The **life expectancy of several millions** of cycles, with **response time of few milliseconds**, allows the use of these valves on intensive applications and on high technology machines, as the plastic bottle blowing machines, or the laser cutting machines.

Parker Lucifer also develops special valves or adapted blocks upon specific customers needs. Please contact your agent for more information.





# Application Example

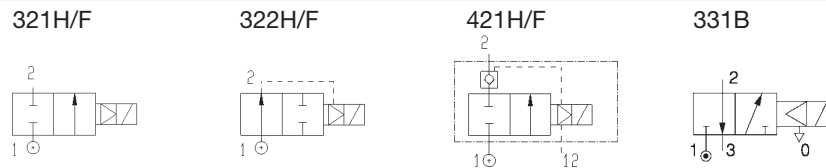
## Main Technical Specifications

### Function

2/2 pilot operated: Normally closed (with internal pilot pressure) 321H/F type  
 Normally closed (with external pilot pressure) 421H/F type  
 Normally open (with internal pilot pressure) 322H/F type

3/2 pilot operated: normally closed (with internal pressure) 331B type

### ISO diagram



### Mounting

- For direct pipe mounting G 1/2" or 3/4" (2/2 Valve type H); G 1/4 (3/2 Valve type B)
- For sub-base mounting (type F)

### Nominal diameter

15 mm (type H), 14 mm (type F)

### Pressures

For the version with external pilot pressure, the pilot pressure must always be higher than the controlled pressure

### External Leakage

0 Ncc/min.

### Internal Leakage

< 20 Ncc/min.

### Fluids

Dry lubricated or non lubricated air, Argon, Nitrogen.  
 Oxygen on request

### Proof pressure

200 bar

### Filtration

< 1 µm

### Life expectancy

> 2 10<sup>6</sup> cycles (dry and clean air)  
 > 8 10<sup>6</sup> cycles (lubricated air)

### Temperatures

Ambient / fluid mini: -10 °C  
 Ambient / fluid maxi: +50 °C

### Materials specifications

Body/cover:	2/2 Valves: Brass - 3/2 Valves: Aluminium
Pilot seals :	PUR
Main seals :	FKM (Viton®) with isolating diaphragm from PUR
Tube and plunger :	Stainless steel
Coil :	Encapsulation from PA66 + 30% fiber glass

### Options

Δp maxi 50 bar on request

### Response Time

Depends on application

### Mounting Position

Indifferent

### Specials

Parker Lucifer also develops special valves or adapted blocks upon specific customers needs.  
 Please contact your agent for more information.



Port size	Orifice	Flow Factor (l/min)	Admissible differential pressure (bar)			Fluid Temp.	Seal Material (C°)	Reference Nos				Dim. Ref. N°
			Min.	Max. DC	Max. AC			Gaz Max.	Global Ref. No.	Valve	Housing	

### 2/2 Valves - Direct Pipe Mounting

Normally CLOSED

1/2"	15	3150	1.5	40	40	50	FKM	-	<b>321H35</b>	2995	see table	1
3/4"	15	3550	1.5	40	40	50	FKM	-	<b>321H36</b>	2995	see table	1

### 2/2 Valves - Direct Pipe Mounting

Normally OPEN

1/2"	15	3150	1.5	40	40	50	FKM	-	<b>322H35</b>	2995	see table	2
3/4"	15	3550	1.5	40	40	50	FKM	-	<b>322H36</b>	2995	see table	2

### 2/2 Valves - Direct Pipe Mounting

External Pilot

Normally CLOSED

1/2"	15	3150	2	40	40	50	FKM	-	<b>421H35</b>	2995	see table	3
3/4"	15	3550	2	40	40	50	FKM	-	<b>421H36</b>	2995	see table	3

### 2/2 Valves - Sub-base Mounting

Normally CLOSED

-	14	2100	1.5	40	40	50	FKM	-	<b>321F35</b>	2995	see table	4
-	22	7000	5	40	40	50	FKM	-	<b>321F37</b>	2995	see table	-

### 2/2 Valves - Sub-base Mounting

Normally OPEN

-	14	2100	1.5	40	40	50	FKM	-	<b>322F35</b>	2995	see table	5
-	22	7000	1.5	40	40	50	FKM	-	<b>322F37</b>	2995	see table	-

### 2/2 Valves - Sub-base Mounting

External Pilot

Normally CLOSED

-	14	2100	2	40	40	50	FKM	-	<b>421F35</b>	2995	see table	6
---	----	------	---	----	----	----	-----	---	---------------	------	-----------	---

### 3/2 Valves - Direct Pipe Mounting

Normally CLOSED

1/4"	8	750	1	40	40	50	PUR	-	<b>331B31</b>	2995	see table	7
------	---	-----	---	----	----	----	-----	---	---------------	------	-----------	---

### 3/2 Valves - Sub-base Mounting

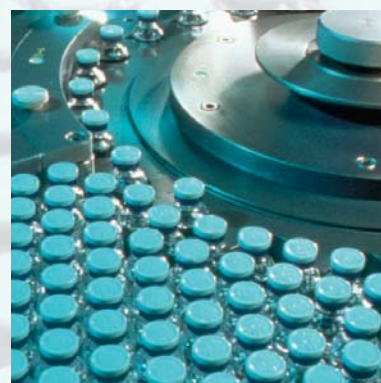
Normally CLOSED

-	8	750	1	40	40	50	PUR	-	<b>331F31</b>	2995	see table	-
---	---	-----	---	----	----	----	-----	---	---------------	------	-----------	---

#### Available electrical parts:

You will find standard available coil details on the next pages. Due to the innovative sleeve design it is also possible to use all listed Parker valves with special solutions, like water tight (IP67) or explosion proof designs.

Please consult your local agent for more details.



# Electrical Parts Availability

## 32 mm Electrical Parts Availability

### 481865 Series - Standard Coil Mono-Frequency, F Class, IP65

Encapsulated in synthetic material, connector for 2P+E DIN 43650 A Plug, IP65 insulation class to be considered with connector plug only. This coil conforms to the IEC/CENELEC safety standards and complies with European low-voltage directive 73/23/EC.

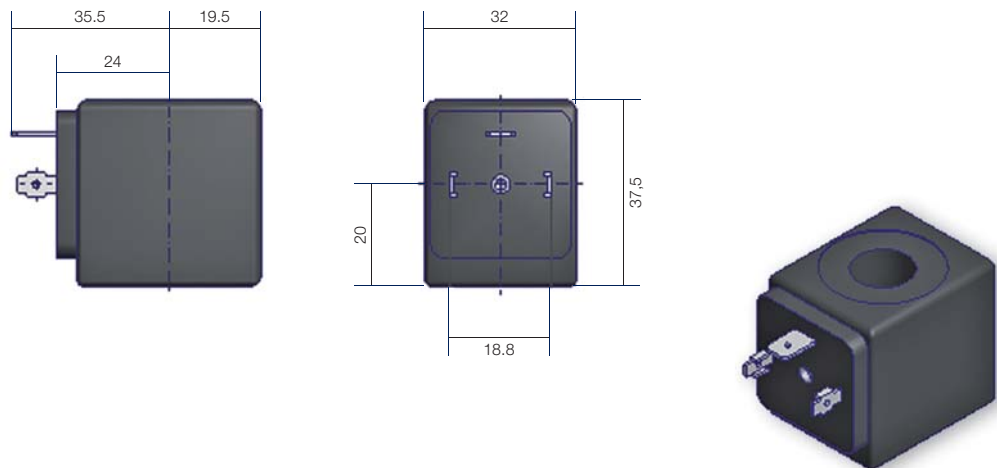
Voltage V	Power Consumption	Reference	Approvals	Ambient Temperature	Class of insulation	Dimensional Drawing
24/50	8 W	481865A2	-	-40°C to +50°C	F Class 155°C	8
48/50	8 W	481865A4	-	-40°C to +50°C	F Class 155°C	8
110/50	8 W	481865A5	-	-40°C to +50°C	F Class 155°C	8
220-230/50	8 W	4818653D	-	-40°C to +50°C	F Class 155°C	8
380/50	8 W	481865A9	-	-40°C to +50°C	F Class 155°C	8
24/60	8 W	481865B2	-	-40°C to +50°C	F Class 155°C	8
230/60	8 W	481865J3	-	-40°C to +50°C	F Class 155°C	8
115/60	8 W	481865K8	-	-40°C to +50°C	F Class 155°C	8
12 DC	9 W	481865C1	-	-40°C to +50°C	F Class 155°C	8
24 DC	9 W	481865C2	-	-40°C to +50°C	F Class 155°C	8
48 DC	9 W	481865C4	-	-40°C to +50°C	F Class 155°C	8
110V DC	9 W	481865C5	-	-40°C to +50°C	F Class 155°C	8

**Voltage**

**Tolerances:** -10% to +10% of the nominal voltage (AC), -5% to +10% of the nominal voltage (DC)

**Duty:** Continuous duty coil (100%ED)

**Weight:** 130 g (without plug)



## 32 mm Electrical Parts Availability

### 483510 Series - Standard Bi-Frequency Coil, F Class, IP65

Encapsulated in synthetic material, connector for 2P+E DIN 43650 A Plug, IP65 insulation class to be considered with connector plug only.

This coil conforms to the IEC/CENELEC safety standards and complies with European low-voltage directive 73/23/EC.

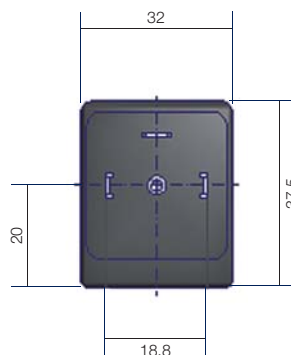
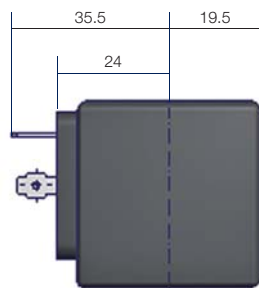
Voltage V	Power Consumption	Reference	Approvals	Ambient Temperature	Class of insulation	Dimensional Drawing
12/50-60	9 W	<b>4835101W</b>	-	-40°C to +50°C	F Class 155°C	8
24/50-60	9 W	<b>483510P0</b>	-	-40°C to +50°C	F Class 155°C	8
48/50-60	9 W	<b>483510S4</b>	-	-40°C to +50°C	F Class 155°C	8
110-115/50 120/60	9 W	<b>483510S5</b>	-	-40°C to +50°C	F Class 155°C	8
220-240/50 240/60	9 W	<b>483510S6</b>	-	-40°C to +50°C	F Class 155°C	8

**Voltage**

**Tolerances:** -10% to +10% of the nominal voltage (AC), -5% to +10% of the nominal voltage (DC)

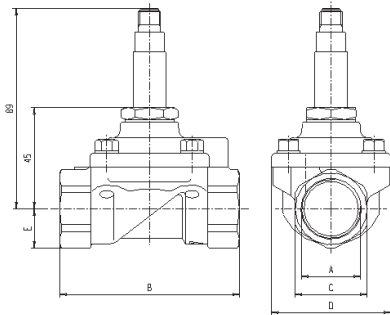
**Duty** Continuous duty coil (100%ED)

**Weight:** 130 g (without plug)

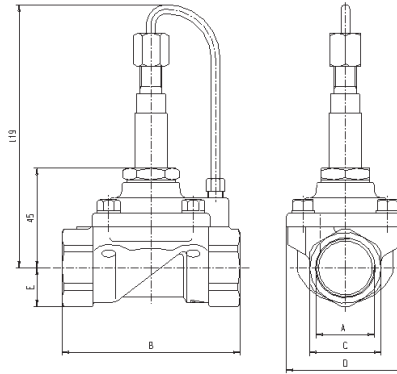


# Dimensions

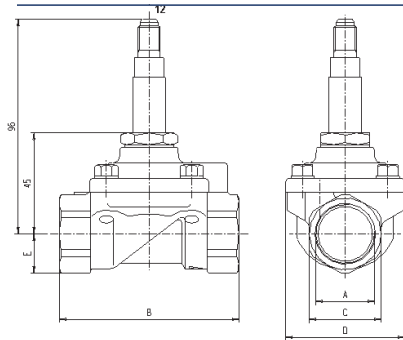
Dimensions Reference N° 1



Dimensions Reference N° 2

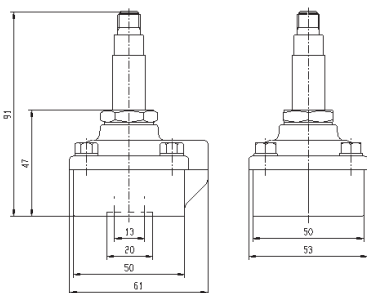


Dimensions Reference N° 3

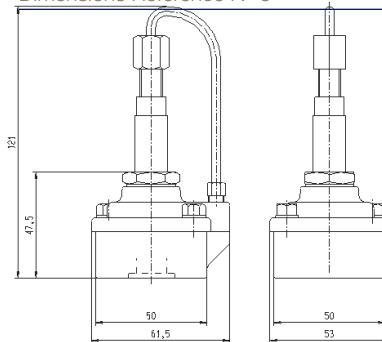


	A	B	C	D	E
G3/4"	80	32	53	17.5	
G1/2"	75	27	53	13.5	

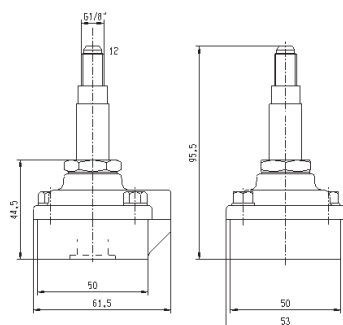
Dimensions Reference N° 4



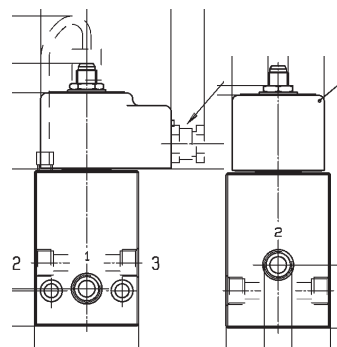
Dimensions Reference N° 5



Dimensions Reference N° 6



Dimensions Reference N° 7









# Parker's Motion & Control Technologies

At Parker, we're guided by a relentless drive to help our customers become more productive and achieve higher levels of profitability by engineering the best systems for their requirements. It means looking at customer applications from many angles to find new ways to create value. Whatever the motion and control technology need, Parker has the experience, breadth of product and global reach to consistently deliver. No company knows more about motion and control technology than Parker. For further info call 00800 27 27 5374.



## AEROSPACE

### Key Markets

- Aircraft engines
- Business & general aviation
- Commercial transports
- Land-based weapons systems
- Military aircraft
- Missiles & launch vehicles
- Regional transports
- Unmanned aerial vehicles

### Key Products

- Flight control systems & components
- Fluid conveyance systems
- Fluid metering delivery & atomization devices
- Fuel systems & components
- Hydraulic systems & components
- Inert nitrogen generating systems
- Pneumatic systems & components
- Wheels & brakes



## CLIMATE CONTROL

### Key Markets

- Agriculture
- Air conditioning
- Food, beverage & dairy
- Life sciences & medical
- Precision cooling
- Processing
- Transportation

### Key Products

- CO<sub>2</sub> controls
- Electronic controllers
- Filter driers
- Hand shut-off valves
- Hose & fittings
- Pressure regulating valves
- Refrigerant distributors
- Safety relief valves
- Solenoid valves
- Thermostatic expansion valves



## ELECTROMECHANICAL

### Key Markets

- Aerospace
- Factory automation
- Food & beverage
- Life science & medical
- Machine tools
- Packaging machinery
- Paper machinery
- Plastics machinery & converting
- Primary metals
- Semiconductor & electronics
- Textile
- Wire & cable

### Key Products

- AC/DC drives & systems
- Electric actuators
- Controllers
- Gantry robots
- Gearheads
- Human machine interfaces
- Industrial PCs
- Inverters
- Linear motors, slides and stages
- Precision stages
- Stepper motors
- Servo motors, drives & controls
- Structural extrusions



## FILTRATION

### Key Markets

- Food & beverage
- Industrial machinery
- Life sciences
- Marine
- Mobile equipment
- Oil & gas
- Power generation
- Process
- Transportation

### Key Products

- Analytical gas generators
- Compressed air & gas filters
- Condition monitoring
- Engine air, fuel & oil filtration & systems
- Hydraulic, lubrication & coolant filters
- Process, chemical, water & microfiltration filters
- Nitrogen, hydrogen & zero air generators



## FLUID & GAS HANDLING

### Key Markets

- Aerospace
- Agriculture
- Bulk chemical handling
- Construction machinery
- Food & beverage
- Fuel & gas delivery
- Industrial machinery
- Mobile
- Oil & gas
- Transportation
- Welding

### Key Products

- Brass fittings & valves
- Diagnostic equipment
- Fluid conveyance systems
- Industrial hose
- PTFE & PFA hose, tubing & plastic fittings
- Rubber & thermoplastic hose & couplings
- Tube fittings & adapters
- Quick disconnects



## HYDRAULICS

### Key Markets

- Aerospace
- Aerial lift
- Agriculture
- Construction machinery
- Forestry
- Industrial machinery
- Mining
- Oil & gas
- Power generation & energy
- Truck hydraulics

### Key Products

- Diagnostic equipment
- Hydraulic cylinders
- Hydraulic cylinders & accumulators
- Hydraulic motors & pumps
- Hydraulic systems
- Hydraulic valves & controls
- Power take-offs
- Rubber & thermoplastic hose & couplings
- Tube fittings & adapters
- Quick disconnects



## PNEUMATICS

### Key Markets

- Aerospace
- Conveyor & material handling
- Factory automation
- Food & beverage
- Life science & medical
- Machine tools
- Packaging machinery
- Transportation & automotive

### Key Products

- Air preparation
- Compact cylinders
- Field bus valve systems
- Grippers
- Guided cylinders
- Manifolds
- Miniature fluidics
- Pneumatic accessories
- Pneumatic actuators & grippers
- Pneumatic valves and controls
- Rodless cylinders
- Rotary actuators
- Tie rod cylinders
- Vacuum generators, cups & sensors



## PROCESS CONTROL

### Key Markets

- Chemical & refining
- Food, beverage & dairy
- Medical & dental
- Microelectronics
- Oil & gas
- Power generation

### Key Products

- Analytical sample conditioning products & systems
- Fluoropolymer chemical delivery fittings, valves & pumps
- High purity gas delivery fittings, valves & regulators
- Instrumentation fittings, valves & regulators
- Medium pressure fittings & valves
- Process control manifolds



## SEALING & SHIELDING

### Key Markets

- Aerospace
- Chemical processing
- Consumer
- Energy, oil & gas
- Fluid power
- General industrial
- Information technology
- Life sciences
- Military
- Semiconductor
- Telecommunications
- Transportation

### Key Products

- Dynamic seals
- Elastomeric o-rings
- EMI shielding
- Extruded & precision-cut, fabricated elastomeric seals
- Homogeneous & inserted elastomeric shapes
- High temperature metal seals
- Metal & plastic retained composite seals
- Thermal management



ENGINEERING YOUR SUCCESS.

# Parker Worldwide

## Europe, Middle East, Africa

**AE - United Arab Emirates,**  
Dubai

Tel: +971 4 8127100  
parker.me@parker.com

**AT - Austria,** Wiener Neustadt

Tel: +43 (0)2622 23501-0  
parker.austria@parker.com

**AT - Eastern Europe,** Wiener  
Neustadt

Tel: +43 (0)2622 23501 900  
parker.easteurope@parker.com

**AZ - Azerbaijan,** Baku

Tel: +994 50 2233 458  
parker.azerbaijan@parker.com

**BE/LU - Belgium,** Nivelles

Tel: +32 (0)67 280 900  
parker.belgium@parker.com

**BY - Belarus,** Minsk

Tel: +375 17 209 9399  
parker.belarus@parker.com

**CH - Switzerland,** Etoy

Tel: +41 (0)21 821 87 00  
parker.switzerland@parker.com

**CZ - Czech Republic,** Klecany

Tel: +420 284 083 111  
parker.czechrepublic@parker.com

**DE - Germany,** Kaarst

Tel: +49 (0)2131 4016 0  
parker.germany@parker.com

**DK - Denmark,** Ballerup

Tel: +45 43 56 04 00  
parker.denmark@parker.com

**ES - Spain,** Madrid

Tel: +34 902 330 001  
parker.spain@parker.com

**FI - Finland,** Vantaa

Tel: +358 (0)20 753 2500  
parker.finland@parker.com

**FR - France,** Contamine s/Arve

Tel: +33 (0)4 50 25 80 25  
parker.france@parker.com

**GR - Greece,** Athens

Tel: +30 210 933 6450  
parker.greece@parker.com

**HU - Hungary,** Budapest

Tel: +36 1 220 4155  
parker.hungary@parker.com

**IE - Ireland,** Dublin

Tel: +353 (0)1 466 6370  
parker.ireland@parker.com

**IT - Italy,** Corsico (MI)

Tel: +39 02 45 19 21  
parker.italy@parker.com

**KZ - Kazakhstan,** Almaty

Tel: +7 7272 505 800  
parker.easteurope@parker.com

**NL - The Netherlands,** Oldenzaal

Tel: +31 (0)541 585 000  
parker.nl@parker.com

**NO - Norway,** Asker

Tel: +47 66 75 34 00  
parker.norway@parker.com

**PL - Poland,** Warsaw

Tel: +48 (0)22 573 24 00  
parker.poland@parker.com

**PT - Portugal,** Leca da Palmeira

Tel: +351 22 999 7360  
parker.portugal@parker.com

**RO - Romania,** Bucharest

Tel: +40 21 252 1382  
parker.romania@parker.com

**RU - Russia,** Moscow

Tel: +7 495 645-2156  
parker.russia@parker.com

**SE - Sweden,** Spånga

Tel: +46 (0)8 59 79 50 00  
parker.sweden@parker.com

**SK - Slovakia,** Banská Bystrica

Tel: +421 484 162 252  
parker.slovakia@parker.com

**SL - Slovenia,** Novo Mesto

Tel: +386 7 337 6650  
parker.slovenia@parker.com

**TR - Turkey,** Istanbul

Tel: +90 216 4997081  
parker.turkey@parker.com

**UA - Ukraine,** Kiev

Tel: +380 44 494 2731  
parker.ukraine@parker.com

**UK - United Kingdom,** Warwick

Tel: +44 (0)1926 317 878  
parker.uk@parker.com

**ZA - South Africa,** Kempton Park

Tel: +27 (0)11 961 0700  
parker.southafrica@parker.com

## North America

**CA - Canada,** Milton, Ontario

Tel: +1 905 693 3000

**US - USA,** Cleveland

Tel: +1 216 896 3000

## Asia Pacific

**AU - Australia,** Castle Hill

Tel: +61 (0)2-9634 7777

**CN - China,** Shanghai

Tel: +86 21 2899 5000

**HK - Hong Kong**

Tel: +852 2428 8008

**IN - India,** Mumbai

Tel: +91 22 6513 7081-85

**JP - Japan,** Tokyo

Tel: +81 (0)3 6408 3901

**KR - South Korea,** Seoul

Tel: +82 2 559 0400

**MY - Malaysia,** Shah Alam

Tel: +60 3 7849 0800

**NZ - New Zealand,** Mt Wellington

Tel: +64 9 574 1744

**SG - Singapore**

Tel: +65 6887 6300

**TH - Thailand,** Bangkok

Tel: +662 717 8140

**TW - Taiwan,** Taipei

Tel: +886 2 2298 8987

## South America

**AR - Argentina,** Buenos Aires

Tel: +54 3327 44 4129

**BR - Brazil,** Sao Jose dos Campos

Tel: +55 12 4009 3500

**CL - Chile,** Santiago

Tel: +56 2 623 1216

**MX - Mexico,** Apodaca

Tel: +52 81 8156 6000

**VE - Venezuela,** Caracas

Tel: +58 212 238 5422

Ed. 2010-12-01

European Product Information Centre

Free phone: 00 800 27 27 5374

(from AT, BE, CH, CZ, DE, EE, ES, FI, FR, IE,  
IL, IS, IT, LU, MT, NL, NO, PT, SE, SK, UK)

© 2010 Parker Hannifin Corporation.  
All rights reserved.



## Parker Lucifer SA

Fluid Control Division Europe

Ch. Fbg de Cruseilles, 16

1227 Carouge / Genève

Switzerland

Tel.: +41 22 30 77 111

Fax: +41 22 30 77 110

www.parker.com/fcde

Bulletin 2210/UK - 12/2010 - Zalsman

Your local authorized Parker distributor