



# Stainless Steel FRLs

*Air Preparation Units*

*Catalogue no. PDE2504TCUK-ca*

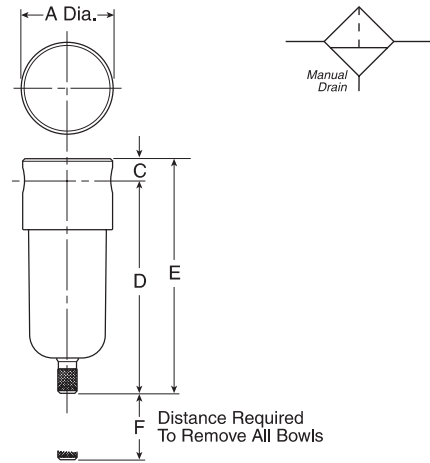


Air Line Filters	
1/4" Miniature PF504 .....	4
1/2" Standard PF10 .....	8
Air Line Coalescing Filters	
1/4" Miniature PF501 .....	5
1/2" Standard PF11 .....	9
Air Line Regulators	
1/4" Miniature PR364 .....	6
1/2" Standard PR10 .....	10
Filter / Regulator "Piggybacks"	
1/4" Miniature PB548 .....	7
1/2" Standard PB11 .....	11
Air Line Lubricators	
1/2" Standard PL10 .....	12
Accessories and Replacement Kits .....	13

# Filter - 1/4" Miniature

## Features

- Stainless Steel Construction handles most corrosive environments.
- Fluorocarbon seals standard.
- High Flow: 1/4" – 10.85 dm<sup>3</sup>/s
- Meets NACE specifications.  
National Association of Corrosion Engineers



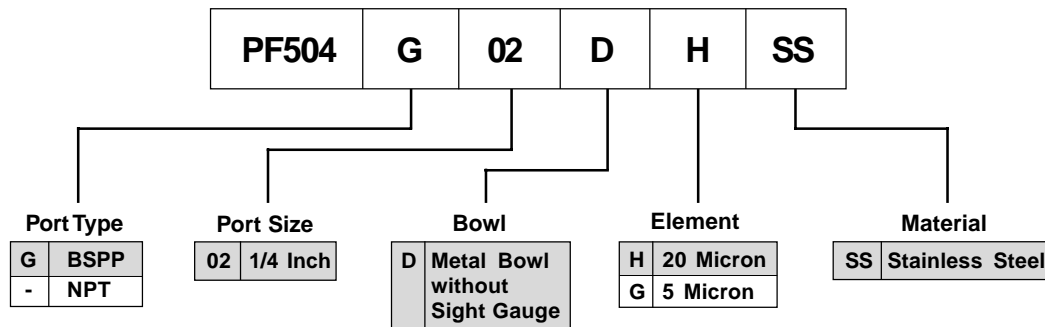
Port Size	BSP	NPT
	Manual Drain	Manual Drain
1/4"	<b>PF504G02DHSS</b>	PF504-02DHSS

PF504 Filter Dimensions		
<b>A</b>	<b>C</b>	<b>D</b>
40mm	8mm	94mm
<b>E</b>	<b>F</b>	
102mm	40mm	

Standard part numbers shown, for other models refer to ordering information below.

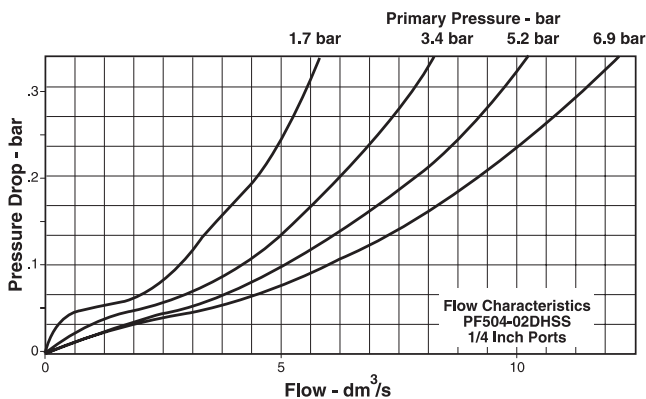
§ dm<sup>3</sup>/s = flow at 6.2 bar and 0.3 bar pressure drop.

## Ordering Information



NOTE: Shaded items are standard.

## Technical Information



## Specifications

Bowl Capacity .....	29 cm <sup>3</sup>
Filter Rating .....	20 Micron
Sump Capacity .....	12 cm <sup>3</sup>
Port Threads .....	1/4 Inch
Pressure & Temperature Ratings .....	0 to 20.7 bar (0 to 300 PSIG)
	..... 4°C to 82°C (40°F to 180°F)
Weight .....	275g

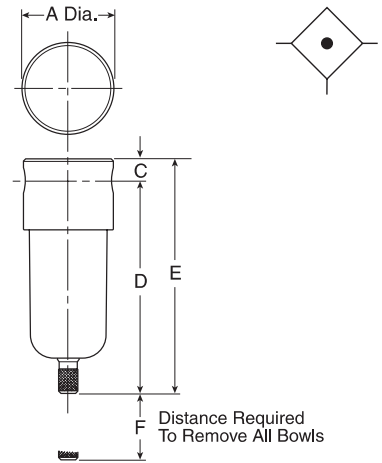
## Materials of Construction

Body .....	316 Stainless Steel
Bowls .....	316 Stainless Steel
Drain .....	316 Stainless Steel
Filter Element .....	Polyethylene
Element Holder .....	Acetal
Seals .....	Fluorocarbon
Deflector .....	Acetal

# Coalescing Filter - 1/4" Miniature

## Features

- Stainless Steel Construction handles most corrosive environments.
- Meets NACE specifications.
- High Flow: 1/4" – 7.55 dm<sup>3</sup>/s

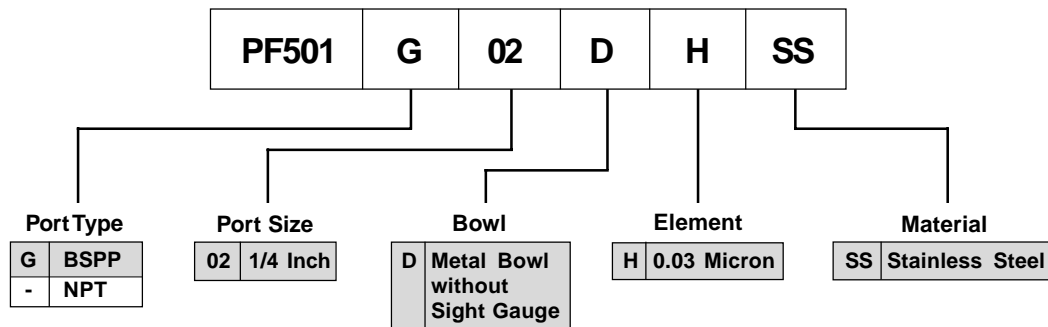


Port Size	BSPP	NPT
	Manual Drain	Manual Drain
1/4"	<b>PF501G02DHSS</b>	PF501-02DHSS

PF501 Coalescing Filter Dimensions		
<b>A</b> 40mm	<b>C</b> 8mm	<b>D</b> 94mm
<b>E</b> 102mm	<b>F</b> 40mm	

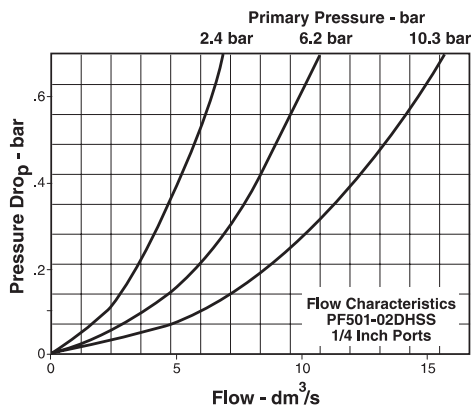
Standard part numbers shown, for other models refer to ordering information below.  
 § dm<sup>3</sup>/s = flow at 6.2 bar and 0.3 bar pressure drop.

## Ordering Information



NOTE: Shaded items are standard.

## Technical Information



## Specifications

Bowl Capacity	29 cm <sup>3</sup>
Filter Rating	0.03 Micron
Sump Capacity	12 cm <sup>3</sup>
Port Threads	1/4 Inch
Pressure & Temperature Ratings	0 to 20.7 bar (0 to 300 PSIG) 4°C to 82°C (40°F to 180°F)
Weight	270g

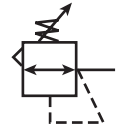
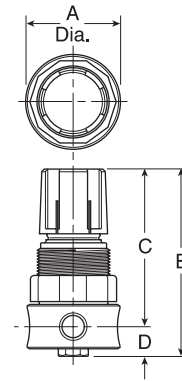
## Materials of Construction

Body	316 Stainless Steel
Bowls	316 Stainless Steel
Drain	316 Stainless Steel
Filter Element	Borosilicate Fiber
Element Holder	Acetal
Seals	Fluorocarbon

# Regulator - 1/4" Miniature

## Features

- Stainless Steel Construction handles most corrosive environments.
- Large diaphragm to valve area ratio for precise regulation and high flow capacity.
- Meets NACE specifications.
- High Flow: 1/4" – 5.75 dm<sup>3</sup>/s



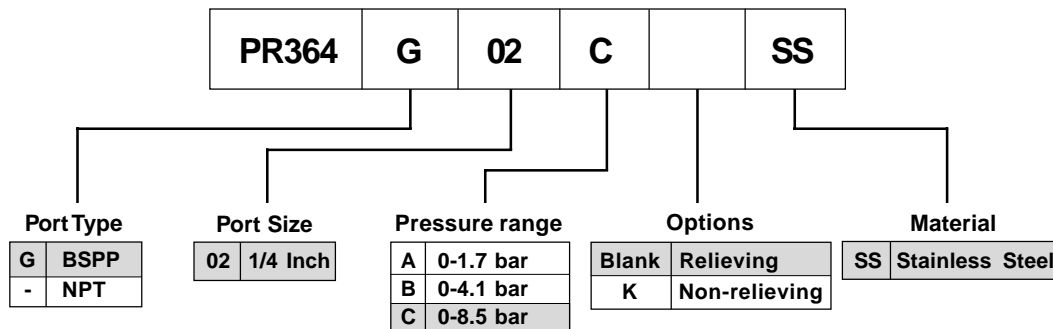
Port Size	BSPB	NPT
1/4"	<b>PR364G02CSS</b>	PR364-02CSS

PR364 Regulator Dimensions		
A	C	D
40mm	65mm	13mm
E		
78mm		

Standard part numbers shown, for other models refer to ordering information below.

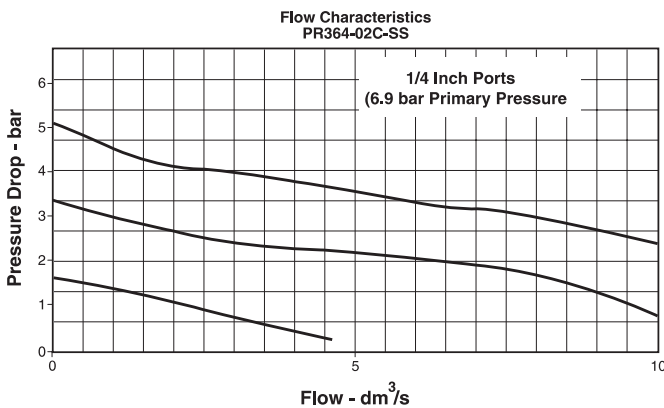
§ dm<sup>3</sup>/s = 7 bar inlet pressure with reduced pressure of 5.5 bar.

## Ordering Information



NOTE: Shaded items are standard.

## Technical Information



## Specifications

Gauge Port ..... 1/4 Inch  
 Operation ..... Fluorocarbon Diaphragm  
 Port Threads ..... 1/4 Inch  
 Pressure & Temperature Ratings – 20.7 bar (300 PSIG Max)  
 4°C to 66°C (40°F to 150°F)  
 Weight ..... 230g

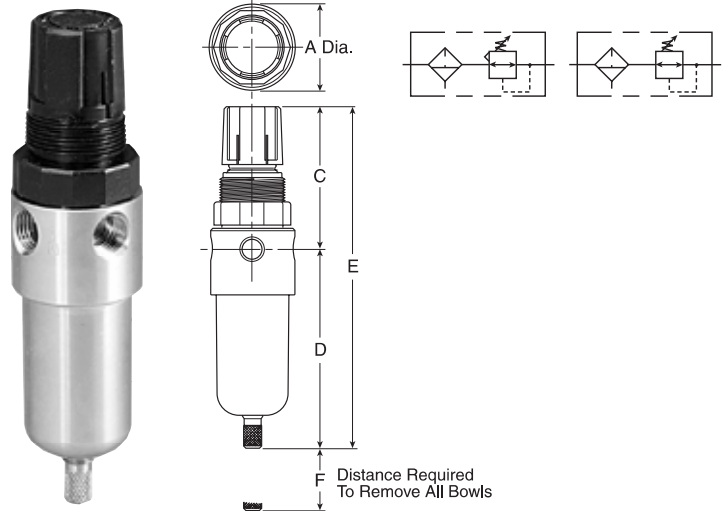
## Materials of Construction

Adjustment Mechanism / Springs ..... 316 Stainless Steel  
 Body ..... 316 Stainless Steel  
 Bottom Plug ..... 316 Stainless Steel  
 Poppet ..... 316 Stainless Steel  
 Bonnet ..... Acetal  
 Seals ..... Fluorocarbon  
 Knob ..... Polypropylene

# Filter/Regulator - 1/4" Miniature

## Features

- Stainless Steel Construction handles most corrosive environments.
- Large diaphragm to valve area ratio for precise regulation and high flow capacity.
- Meets NACE specifications.
- High Flow: 1/4" – 5.75 dm<sup>3</sup>/s



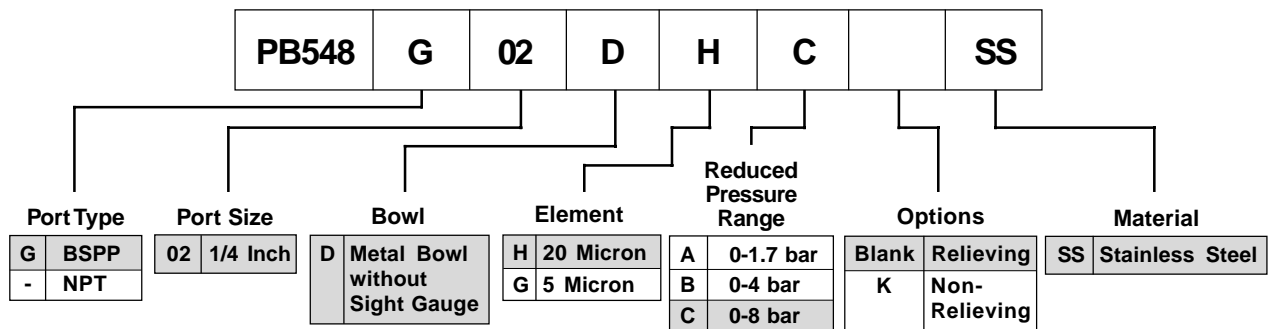
Port Size	BSPP	NPT
1/4"	<b>PB548G02DHCSS</b>	PB548-02DHCSS

PB548 Filter/Reg Dimensions		
<b>A</b> 40mm	<b>C</b> 67mm	<b>D</b> 92mm
<b>E</b> 159mm	<b>F</b> 40mm	

Standard part numbers shown, for other models refer to ordering information below.

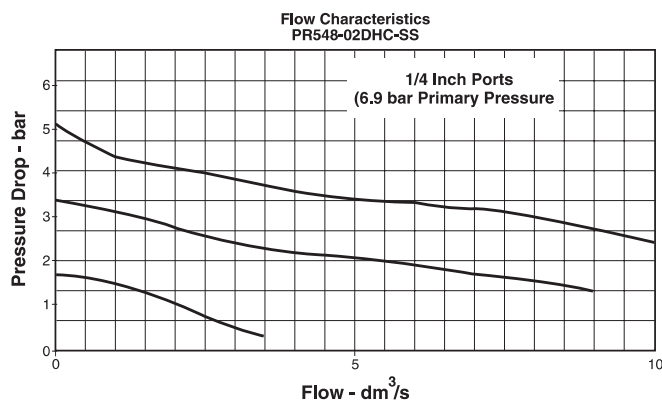
§ dm<sup>3</sup>/s = 7 bar inlet pressure with reduced pressure of 5.5 bar.

## Ordering Information



NOTE: Shaded items are standard.

## Technical Information



## Specifications

Bowl Capacity	29 cm <sup>3</sup>
Filter Rating	20 Micron
Gauge Port	1/4 Inch
Operation	Fluorocarbon Diaphragm
Port Threads	1/4 Inch
Pressure & Temperature Ratings	20.7 bar (300 PSIG Max) 4°C to 66°C (40°F to 150°F)
Sump Capacity	12 cm <sup>3</sup>
Weight	270g

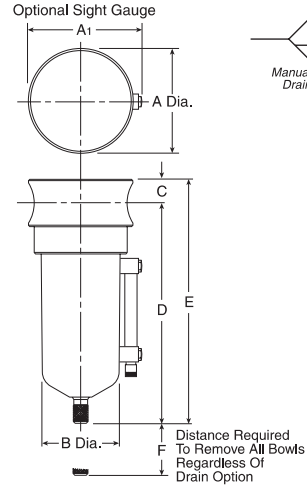
## Materials of Construction

Adjustment Mechanism / Springs	316 Stainless Steel
Body	316 Stainless Steel
Bottom Plug	316 Stainless Steel
Poppet	316 Stainless Steel
Bonnet	Acetal
Seals	Fluorocarbon
Knob	Polypropylene

# Filter - 1/2" Standard

## Features

- Stainless Steel Construction handles most corrosive environments.
- Meets NACE specifications.
- High Flow: 1/2" – 34 dm<sup>3</sup>/s

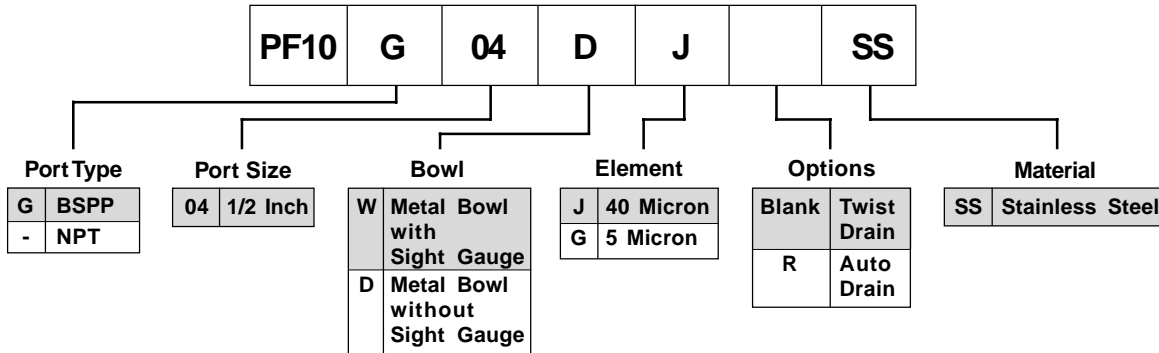


Port Size	BSPP		NPT	
	Manual Drain	Auto Float Drain	Manual Drain	Auto Float Drain
1/2"	PF10G04WJSS	PF10G04WJRSS	PF10-04WJSS	PF10-04WJRSS

PF10 Filter Dimensions		
<b>A</b>	<b>A<sub>1</sub></b>	<b>B</b>
60mm	64mm	44 mm
<b>C</b>	<b>D</b>	<b>E</b>
14mm	127mm	141mm
<b>F</b>		
54mm		

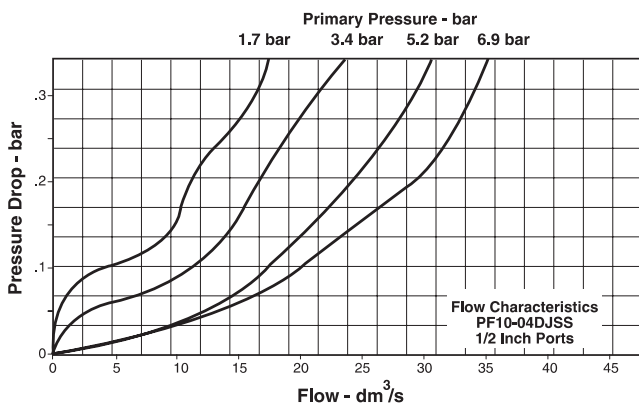
Standard part numbers shown, for other models refer to ordering information below.  
 § dm<sup>3</sup>/s = flow at 6.2 bar and 0.3 bar pressure drop.

## Ordering Information



NOTE: Shaded items are standard.

## Technical Information



## Specifications

- Bowl Capacity ..... 118 cm<sup>3</sup>
- Filter Rating ..... 40 Micron
- Sump Capacity ..... 50 cm<sup>3</sup>
- Port Threads ..... 1/2 Inch
- Pressure & Temperature Ratings –
  - Manual Drain – 0 to 20.7 bar (0 to 300 PSIG)  
4°C to 82°C (40°F to 180°F)
  - Automatic Drain – 1 to 12 bar (15 to 175 PSIG)  
4°C to 49°C (40°F to 120°F)
- Weight ..... 850g

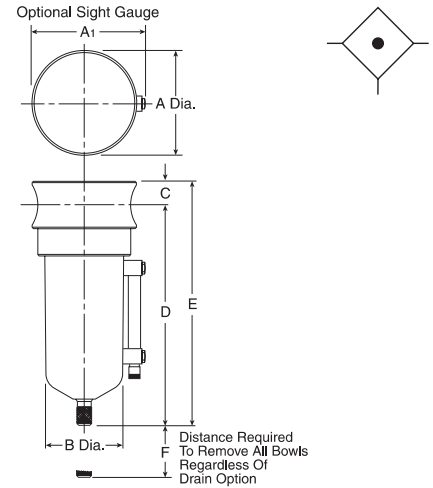
## Materials of Construction

- Body ..... 316 Stainless Steel
- Bowls ..... 316 Stainless Steel
- Drain ..... 316 Stainless Steel
- Filter Element ..... Polyethylene
- Element Holder ..... Acetal
- Seals ..... Fluorocarbon
- Deflector ..... Acetal
- Sight Glass ..... ISOPlast 301 Polyurethane

# Coalescing Filter - 1/2" Standard

## Features

- Stainless Steel Construction handles most corrosive environments.
- Meets NACE specifications.
- High Flow: 1/2" – 21 dm<sup>3</sup>/s

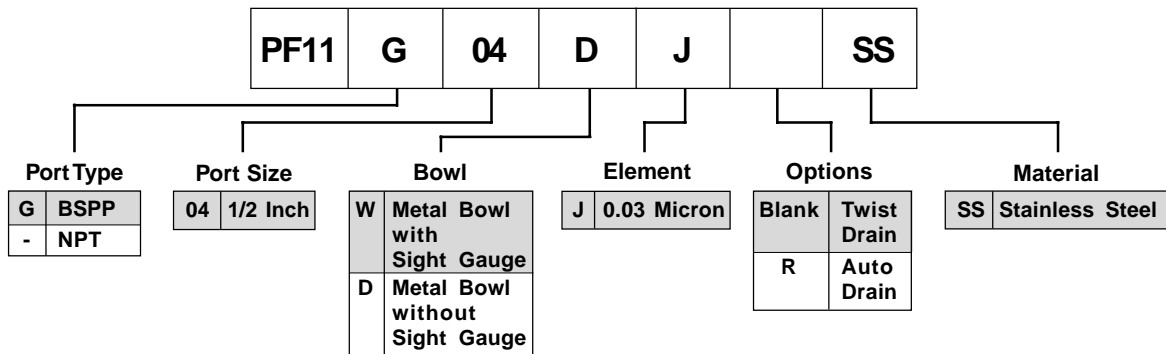


Port Size	BSP	NPT
	Manual Drain	Manual Drain
1/2"	PF11G04WJSS	PF11-04WJSS

Standard part numbers shown, for other models refer to ordering information below.  
 § dm<sup>3</sup>/s = flow at 6.2 bar and 0.3 bar pressure drop.

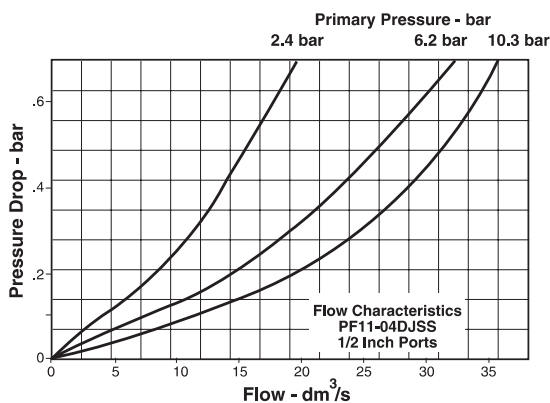
PF11 Filter Dimensions		
<b>A</b> 60mm	<b>A<sub>1</sub></b> 64mm	<b>B</b> 44 mm
<b>C</b> 14mm	<b>D</b> 127mm	<b>E</b> 141mm
<b>F</b> 54mm		

## Ordering Information



NOTE: Shaded items are standard.

## Technical Information



## Specifications

Bowl Capacity	118 cm <sup>3</sup>
Filter Rating	0.01 Micron
Sump Capacity	50 cm <sup>3</sup>
Port Threads	1/2 Inch
Pressure & Temperature Ratings –	
Manual Drain	0 to 20.7 bar (0 to 300 PSIG) 4°C to 82°C (40°F to 180°F)
Automatic Drain	1 to 12 bar (15 to 175 PSIG) 4°C to 49°C (40°F to 120°F)
Weight	850g

## Materials of Construction

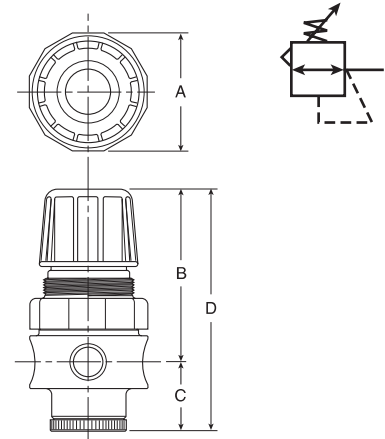
Body	316 Stainless Steel
Bowls	316 Stainless Steel
Drain	316 Stainless Steel
Filter Element	Borosilicate Fiber
Element Holder	Acetal
Seals	Fluorocarbon
Sight Glass	ISOPlast 301 Polyurethane



# Regulator - 1/2" Standard

## Features

- Stainless Steel Construction handles most corrosive environments.
- Large diaphragm to valve area ratio for precise regulation and high flow capacity.
- Meets NACE specifications.
- High Flow: 1/2" – 38 dm<sup>3</sup>/s



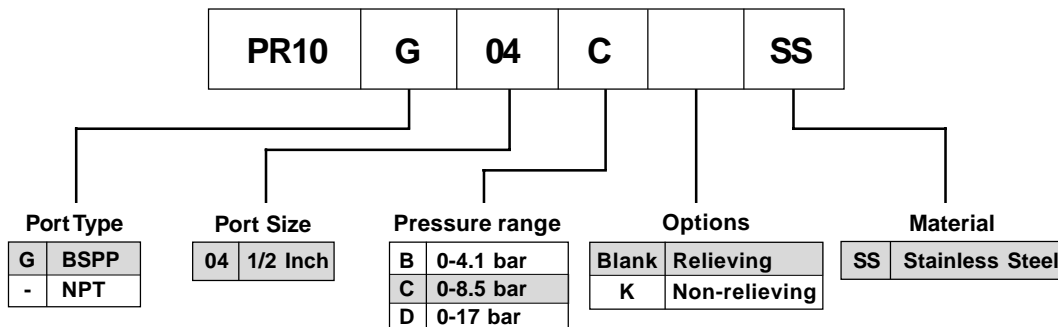
Port Size	BSPP	NPT
1/2"	<b>PR10G04CSS</b>	PR10-04CSS

PR10 Regulator Dimensions			
A	B	C	D
60mm	91mm	35mm	126mm

Standard part numbers shown, for other models refer to ordering information below.

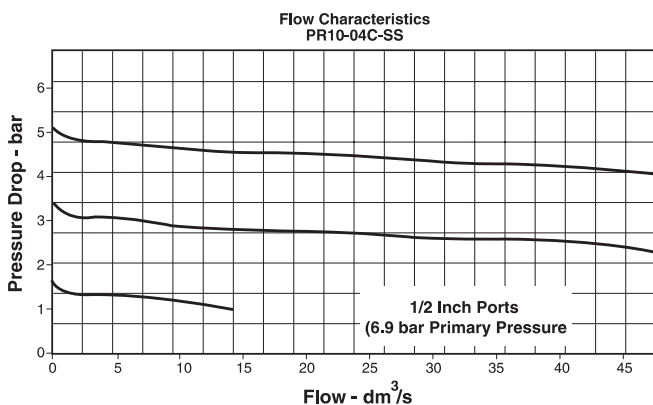
§ dm<sup>3</sup>/s = 7 bar inlet pressure with reduced pressure of 5.5 bar.

## Ordering Information



NOTE: Shaded items are standard.

## Technical Information



## Specifications

Gauge Port ..... 1/4 Inch  
 Operation ..... Fluorocarbon Diaphragm  
 Port Threads ..... 1/2 Inch  
 Pressure & Temperature Ratings – 20.9 bar (300 PSIG Max)  
 4°C to 66°C (40°F to 150°F)  
 Weight ..... 810g

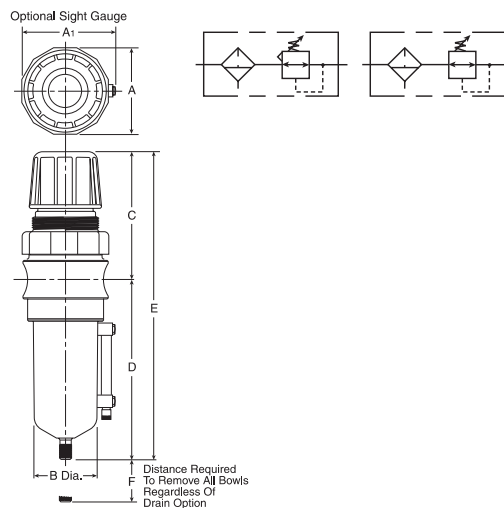
## Materials of Construction

Adjustment Mechanism / Springs ..... 316 Stainless Steel  
 Body ..... 316 Stainless Steel  
 Bottom Plug ..... 316 Stainless Steel  
 Poppet ..... 316 Stainless Steel  
 Bonnet / Knob ..... Acetal  
 Seals ..... Fluorocarbon

# Filter/Regulator - 1/2" Standard

## Features

- Stainless Steel Construction handles most corrosive environments.
- Large diaphragm to valve area ratio for precise regulation and high flow capacity.
- Meets NACE specifications.
- High Flow: 1/2" – 34 dm<sup>3</sup>/s

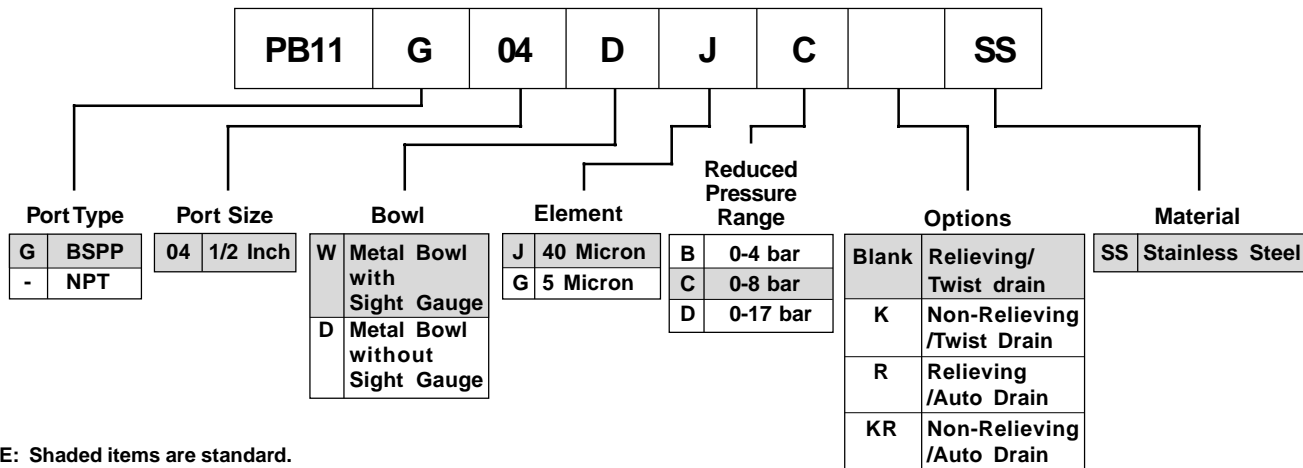


Port Size	BSPP	NPT
1/4"	<b>PB11G04WJCSS</b>	PB11-04WJCSS

PF11 Filter/Reg Dimensions		
<b>A</b> 60mm	<b>A<sub>1</sub></b> 64mm	<b>B</b> 44 mm
<b>C</b> 91mm	<b>D</b> 127mm	<b>E</b> 218mm
<b>F</b> 54mm		

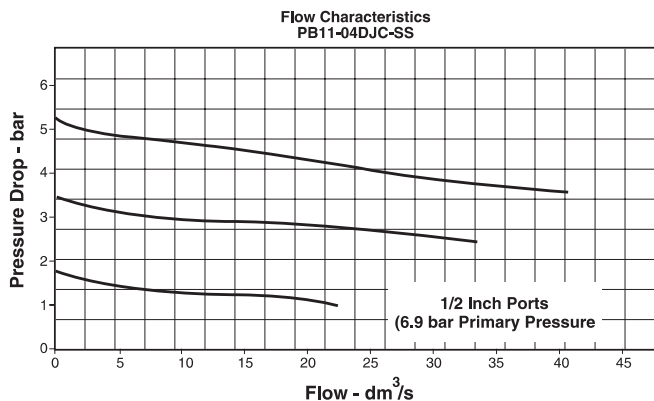
Standard part numbers shown, for other models refer to ordering information below.  
 § dm<sup>3</sup>/s = 7 bar inlet pressure with reduced pressure of 5.5 bar.

## Ordering Information



NOTE: Shaded items are standard.

## Technical Information



## Specifications

Bowl Capacity	118 cm <sup>3</sup>
Filter Rating	40 Micron
Gauge Port	1/4 Inch
Operation	Fluorocarbon Diaphragm
Port Threads	1/2 Inch
Pressure & Temperature Ratings	20.7 bar (300 PSIG Max) 4°C to 66°C (40°F to 150°F)
Sump Capacity	50 cm <sup>3</sup>
Weight	1.09 kg

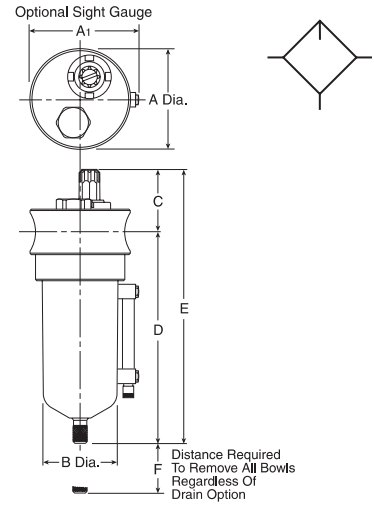
## Materials of Construction

Adjustment Mechanism / Springs	316 Stainless Steel
Body	316 Stainless Steel
Bottom Plug	316 Stainless Steel
Poppet	316 Stainless Steel
Bonnet / Knob	Acetal
Seals	Fluorocarbon
Sight Glass	ISOPlast 301 Polyurethane

# Lubricator - 1/2" Standard

## Features

- Stainless Steel Construction handles most corrosive environments.
- Meets NACE specifications.
- High Flow: 1/2" – 47 dm<sup>3</sup>/s

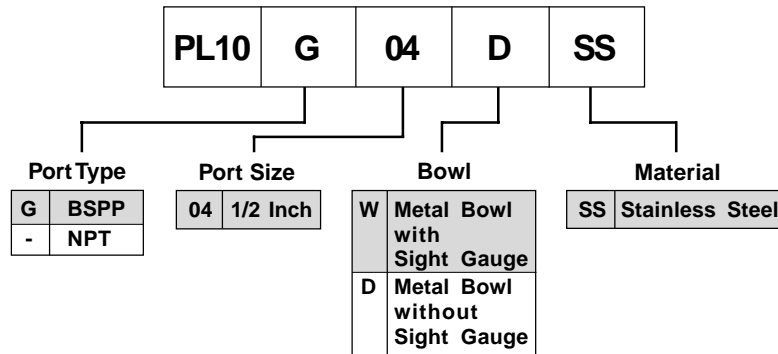


Port Size	BSPB	NPT
1/2"	<b>PL10G04WSS</b>	PL10-04WSS

PL10 Lubricator Dimensions		
<b>A</b> 60mm	<b>A<sub>1</sub></b> 64mm	<b>B</b> 44 mm
<b>C</b> 46mm	<b>D</b> 127mm	<b>E</b> 173mm
<b>F</b> 89mm		

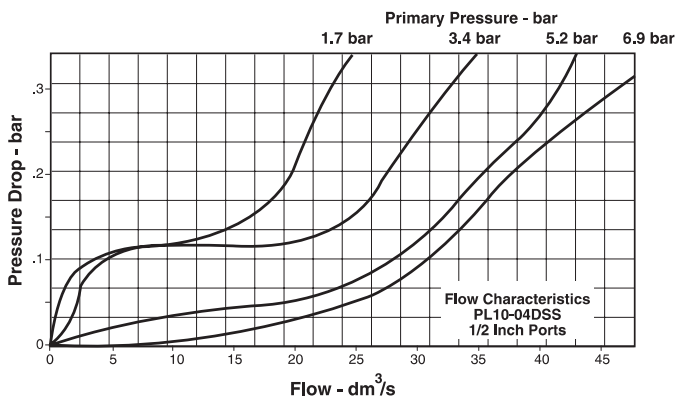
Standard part numbers shown, for other models refer to ordering information below.  
 § dm<sup>3</sup>/s = flow at 6.2 bar and 0.3 bar pressure drop.

## Ordering Information



NOTE: Shaded items are standard.

## Technical Information





## Specifications

Bowl Capacity ..... 118 cm<sup>3</sup>  
 Port Threads ..... 1/2 Inch  
 Pressure & Temperature Ratings –  
 Manual Drain – 0 to 20.7 bar (0 to 300 PSIG)  
 4°C to 82°C (40°F to 180°F)  
 Weight ..... 850g

## Materials of Construction

Body ..... 316 Stainless Steel  
 Bowl ..... 316 Stainless Steel  
 Dip Tube ..... 316 Stainless Steel  
 Drain ..... 316 Stainless Steel  
 Fill Plug ..... 316 Stainless Steel  
 Seals ..... Fluorocarbon  
 Sight Dome ..... Nylon  
 Sight Gauge ..... Polyurethane  
 Sight Glass ..... ISOPlast 301 Polyurethane

# Accessories & Replacement Kits

		Series	
		Miniature	Standard
<b>Stainless Steel Pressure Gauge</b> (0 - 10 bar)		M1/4G40S-10	M1/4G40S-10
<b>316 Stainless Steel Pipe nipple fittings</b> 1/4 NPT 1/4 BSPT 1/2 NPT 1/2 BSPT		616Y28-SS AC-2SS - -	- - 616A28-SS AC-4SS
316 Stainless Steel Mounting Nut		PR05X51SS	PR10X51SS
<b>Filter Element Kits</b> 5. Micron 20 Micron 40 Micron 0.03 Micron 0.01 Micron		PEK504VY PEK504Y - PEKF501H -	PEK55G - PEKF55J - PEKF71
Manual Drain Kit Automatic Drain Kit		PSA600Y7-1SS -	PSA600Y7-1SS PSA602MDSS
<b>Regulator Service Kit</b> Relieving Non-Relieving		PRKR364YSS PRK364KYSS	PRKR10YSS PRKR10KYSS
<b>Combined Filter/Regulator Element Kit</b> 5 Micron 20 Micron 40 Micron		PEK504VY PEK504Y -	PEKF10VY - PEKF10Y
<b>Filter Regulator Service Kit</b> Relieving Non-Relieving		PRK549YSS PRK548YSS	PRKR10YSS PRKR10KYSS

# Other Air Preparation Products

---

## About Parker Hannifin Corporation

Parker Hannifin is a leading global motion-control company dedicated to delivering premier customer service. Our components and systems comprise over 1,400 product lines that control motion in some 1,000 industrial and aerospace markets. Parker is the only manufacturer to offer its customers a choice of hydraulic, pneumatic, and electro-mechanical motion-control solutions. Our Company has the largest distribution network in its field, with over 7,500 distributors serving more than 350,000 customers worldwide.

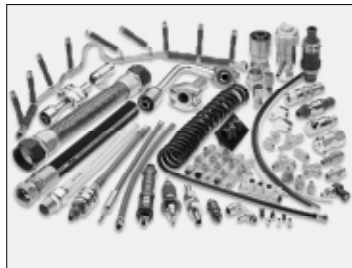
The Aerospace Group is a leader in the development, design, manufacture and servicing of control systems and components for aerospace and related high-technology markets, while achieving growth through premier customer service.



The Climate & Industrial Controls Group designs, manufactures and markets system-control and fluid-handling components and systems to refrigeration, air-conditioning and industrial customers worldwide.



The Fluid Connectors Group designs, produces and markets rigid and flexible connectors, and associated products used in pneumatic and fluid systems.



The Seal Group designs, manufactures and distributes industrial and commercial sealing devices and related products by providing superior quality and total customer satisfaction.



The Hydraulic Group designs, produces and markets a full spectrum of hydraulic components and systems to builders and users of industrial and mobile machinery and equipment.



The Filtration Group designs, manufactures and markets quality filtration and clarification products, providing customers with the best value, quality, technical support, and global availability.



The Automation Group is a leading supplier of pneumatic and electromechanical components and systems to automation customers worldwide.



The Instrumentation Group is a global leader in the design, manufacture and distribution of high-quality critical flow components for worldwide process instrumentation, ultra-high-purity, medical and analytical applications.



## Pneumatic Division Sales Offices

---

**Austria - Wr.Neustadt**

Tel: +43 2622 23501  
Fax: +43 2622 66212

**Belgium - Nivelles**

Tel: +32 067 280 900  
Fax: +32 067 280 999

**Czech & Slovak  
Republics - Prague**

Tel: +420 283 085 221  
Fax: +420 283 085 360

**Denmark - Ishøj**

Tel: +45 43 560400  
Fax: +45 43 733107

**Finland - Vantaa**

Tel: +358 9 4767 31  
Fax: +358 9 4767 3201

**France - Evreux**

Tel: +33 820 825 239  
Fax: +33 820 029 870

**Germany - Mettmann**

Tel: +49 2104 137-0  
Fax: +49 2104 137-500

**Greece - Athens**

Tel: +30 10 933 6450  
Fax: +30 10 933 6451

**Hungary - Budapest**

Tel: +36 1 220 4155  
Fax: +36 1 422 1525

**Italy - Corsico, Milan**

Tel: +39 02 4519 21  
Fax: +39 02 4479 340

**Netherlands - Oldenzaal**

Tel: +31 541 585000  
Fax: +31 541 585459

**Norway - Langhus**

Tel: +47 6491 1000  
Fax: +47 6491 1090

**Poland - Warsaw**

Tel: +48 22 863 49 42  
Fax: +48 22 863 49 44

**Portugal - Leça da  
Palmeira**

Tel: +351 22 999 7360  
Fax: +351 22 996 1527

**Romania - Bucharest**

Tel: +40 21 252 3382  
Fax: +40 21 252 3381

**Russia - Moscow**

Tel: +7 095 234 0054  
Fax: +7 095 234 0528

**Slovenia - Novo mesto**

Tel: +386 7337 6650  
Fax: +386 7337 6651

**Spain - Madrid**

Tel: +34 91 675 7300  
Fax: +34 91 675 7711

**Sweden - Spånga**

Tel: +46 (0) 8 5979 5000  
Fax: +46 (0) 8 5979 5110

**Switzerland - Biel**

Tel: +41 32 3653711  
Fax: +41 32 3653730

**UK - Cannock**

Tel: +44 1543 456000  
Fax: +44 1543 456001

**Ukraine - Kiev**

Tel: + 380 44 220 7432  
Fax: + 380 44 220 6534



**Parker Hannifin plc**

Pneumatic Division,  
Walkmill Lane, Bridgtown,  
Cannock, Staffs. WS11 3LR  
United Kingdom

