



Air Clamp Cylinders

Ø 1", 2 1/4" and 3" bore single acting

Catalogue no. PDE2521TCUK-ca



Air Clamps

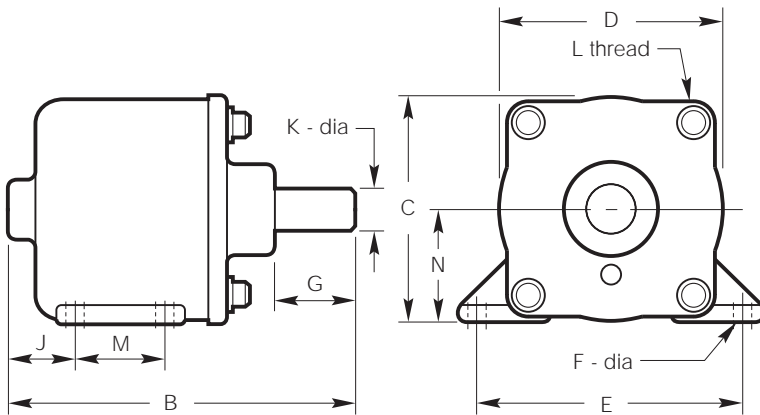
Ø 1", 2 1/4" and 3" bore

A simple, yet versatile, push type air cylinder with spring return.
Manufactured from bearing type bronze alloy which obviates the need for a separate neck bearing, these

rugged air clamps have many uses which include clamping, positioning, marking and striking - in particular their use as a clamp relieves the operator of the tiring physical work of mechanical clamp setting.

Leg mounted type

Delivering a smooth rapid push stroke parallel to the integral mounting surface.
1" bore sizes two mounting holes, larger sizes have four.



Dimensions

Bore size	Stroke	Part No	B	C	D	E crs	G	J	K dia	L	M crs	N	Port
1" / 25mm	1" / 25mm	033510099	90.9	31	30.2	41.1	18.5	33.3	7.9	2 - 10-32	-	15.7	1/8NPT
	2" / 51mm	033510199	116.3	31	30.2	41.1	18.5	58.7	7.9	2 - 10-32	-	15.7	1/8NPT
2 1/4" / 57mm	1" / 25mm	033520099	102.4	65.8	65	77.7	25.4	19.8	12.7	4 - 10-32	26.9	33.3	1/8NPT
	2" / 51mm	033520199	127.8	65.8	65	77.7	25.4	45.2	12.7	4 - 10-32	26.9	33.3	1/8NPT
3" / 76mm	1" / 25mm	033530099	118.4	88.9	84.1	85.9	27.4	22.6	15.7	6 - 1/4-28	28.4	44.4	1/8NPT
	2" / 51mm	033530199	143.8	88.9	84.1	85.9	27.4	48	15.7	6 - 1/4-28	28.4	44.4	1/8NPT

Note: The spring return is designed to move the weight of the piston and rod only.

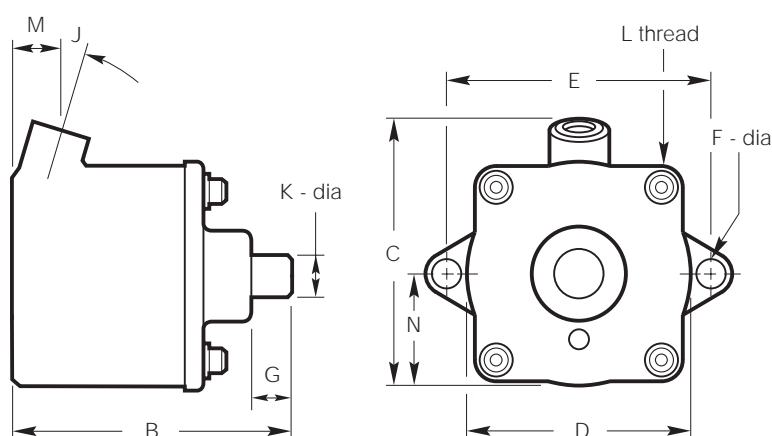
Pressure Range: 1 to 10 bar air only.

Temperature Range: -23°C to +74°C

Air Clamps are available only in stroke lengths of 1" (25mm) and 2" (51mm) in each bore size.

Base mounted type

This delivers a push stroke perpendicular to the mounting surface with the base having two integral mounting lugs on all sizes.



Dimensions

Bore size	Stroke	Part No	B	C	D	E crs	F dia	G	J	K dia	L	M	N	Port
1" / 25mm	1" / 25mm	034510099	82.6	46	30.2	41.1	5.1	18.5	17°	7.9	2 - 10-32	14.2	15	1/8NPT
	2" / 51mm	034510159	108	46	30.2	41.1	5.1	18.5	17°	7.9	2 - 10-32	14.2	15	1/8NPT
2 1/4" / 57mm	1" / 25mm	034520119	95.8	79.2	65	77.7	6.9	25.4	17°	12.7	4 - 10-32	14.2	32.5	1/8NPT
	2" / 51mm	034520179	121.2	79.2	65	77.7	6.9	25.4	17°	12.7	4 - 10-32	14.2	32.5	1/8NPT
3" / 76mm	1" / 25mm	034530129	110	100.8	84.1	101.6	8.4	27.4	17°	15.7	6 - 1/4-28	14.2	44.4	1/8NPT
	2" / 51mm	03453-0189	135.4	100.8	84.1	101.6	8.4	27.4	17°	15.7	6 - 1/4-28	14.2	44.4	1/8NPT

Note: The spring return is designed to move the weight of the piston and rod only.

Pressure Range: 0.3 to 10 bar air only.

Temperature Range: -23°C to +74°C

Air Clamps are available only in stroke lengths of 1" (25mm) and 2" (51mm) in each bore size.

Pneumatic Division Sales Offices

Austria - Wr.Neustadt

Tel: +43 2622 23501-970
Fax: +43 2622 23501-977

Belgium - Nivelles

Tel: +32 67 280 900
Fax: +32 67 280 999

Czech and Slovak Republics - Prague

Tel: +4202 830 852 21
Fax: +4202 830 853 60

Ishøj - Denmark

Tel: +45 43 560 400
Fax: +45 43 733 107

Finland - Vantaa

Tel: +358 9 4767 31
Fax: +358 9 4767 3201

France - Evreux

Tel: +33 820 825 239
Fax: +33 820 029 870

Germany - Mettmann

Tel: +49 2104 137 0
Fax: +49 2104 137 500

Greece - Athens

Tel: +30 210 933 6450
Fax: +30 210 933 6451

Hungary - Budapest

Tel: +36 1 220 4155
Fax: +36 1 422 1525

Italy - Corsico, Milan

Tel: +39 02 4519 21
Fax: +39 02 4479 340

Netherlands - Oldenzaal

Tel: +31 541 585 000
Fax: +31 541 585 459

Norway - Langhus

Tel: +47 6491 1000
Fax: +47 6491 1090

Poland - Warsaw

Tel: +48 22 8634 942
Fax: +48 22 8634 944

Portugal - Leça da Palmeira

Tel: +351 22 999 7360
Fax: +351 22 996 1527

Romania - Bucharest

Tel: +40 21 252 3382
Fax: +40 21 252 3381

Russia - Moscow

Tel: +7 095 234 0054
Fax: +7 095 234 0528

Slovenia - Novo mesto

Tel: +386 7337 6650
Fax: +386 7337 6651

Spain - Madrid

Tel: +34 91 675 7300
Fax: +34 91 675 7711

Sweden - Spånga

Tel: +46 (0) 8 5979 5000
Fax: +46 (0) 8 5979 5110

Switzerland - Bell

Tel: +41 32 3653 711
Fax: +41 32 3653 730

UK - Cannock

Tel: +44 1543 456 000
Fax: +44 1543 456 001

Ukraine - Kiev

Tel: +380 44 220 7432
Fax: +380 44 220 6534



Parker Hannifin plc
Pneumatic Division
Walkmill Lane, Bridgtown,
Cannock, Staffs. WS11 3LR. U.K.
United Kingdom