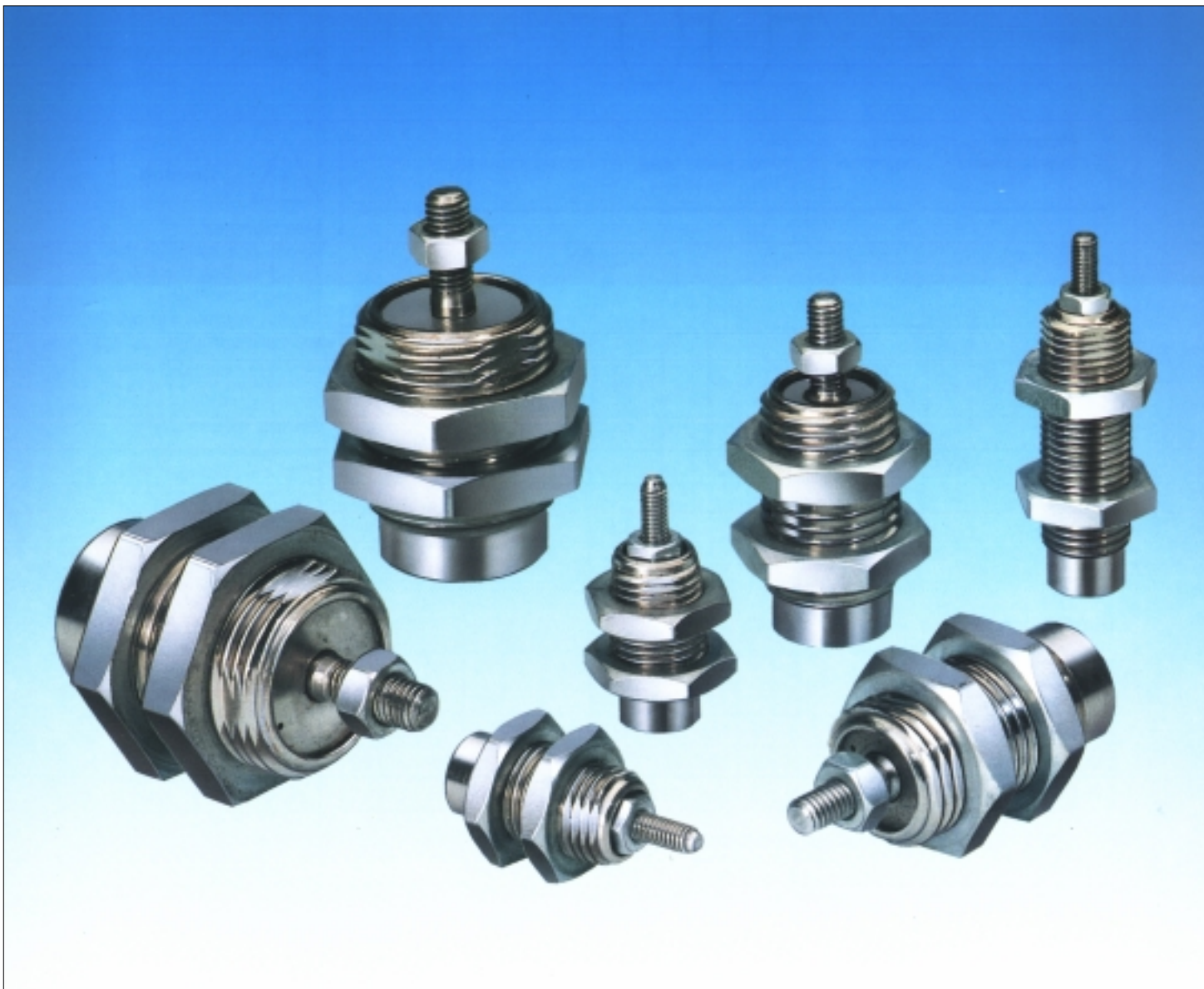




# Cartridge Cylinders

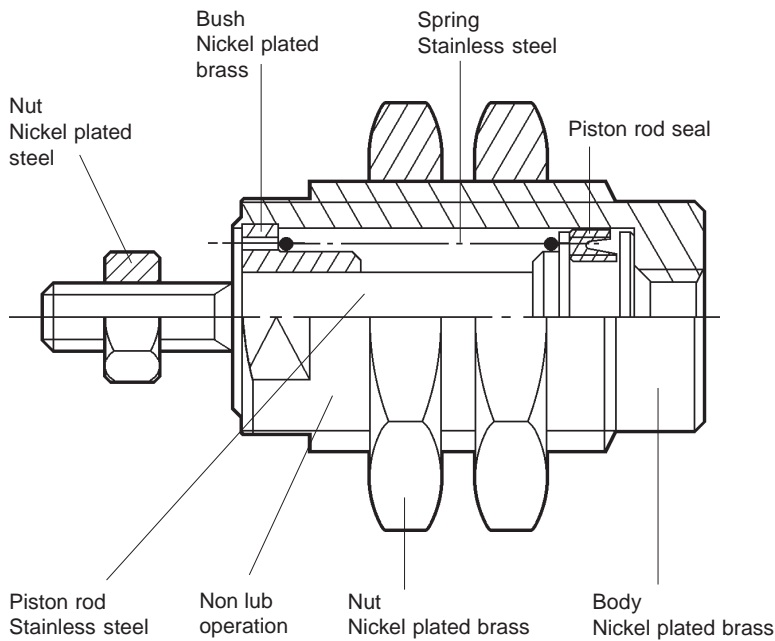
*Single acting, non - lube operation  
Ø 6, 10 and 16mm bore sizes*

*Catalogue 2109GB-ca*



# Single acting cartridge cylinders

## Features



## Part nos.

Ø	
6	M6 - 5121A - + stroke
10	M10 - 5121A - + stroke
16	M16 - 5121A - + stroke

## Standard stroke lengths

5, 10, or 15mm

Add stroke to part no.

e.g. M6 - 5121A - 10

## Technical information

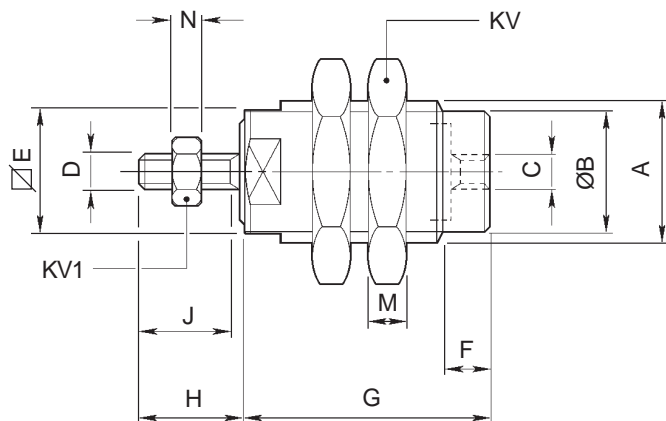
Temperature: -20° +80°C

Pressure: max. 7bar  
min. 2bar



## Caution

Use clean air  
Avoid side loads on the piston rod  
Avoid loading the piston rod during retraction  
Do not operate the cylinders with excessive inertia.



## Dimensions (mm)

Ø	A	ØB	C	D	E	F	G			H	J	KV A/F	KV1	M	N
							5	10	15						
6	M10 x 1	8,5	M5	M3 x 0,5	9	5	18,5	25,5	32,5	9,0	9	14	5,5	3	2,4
10	M15 x 1,5	13,0	M5	M4 x 0,7	14	5	20,5	27,0	34,0	11,5	11	19	7,0	4	3,2
16	M22 x 1,5	19,0	M5	M5 x 0,8	20	6	23,5	29,5	36,0	14,0	12	27	8,0	5	4,0

## Spring forces (N)

Ø	Retracted	Extended
6	1,5	4
10	2,5	6
16	4,5	11

## Weights (g)

Ø	Strokes		
	5	10	15
6	10	13	15
10	27	32	36
16	70	78	87



**Parker Hannifin plc**  
Pneumatic Division  
Walkmill Lane, Bridgtown,  
Cannock, Staffs. WS11 3LR. U.K.

We reserve the right to make alterations without prior notification.  
Edition 97.06